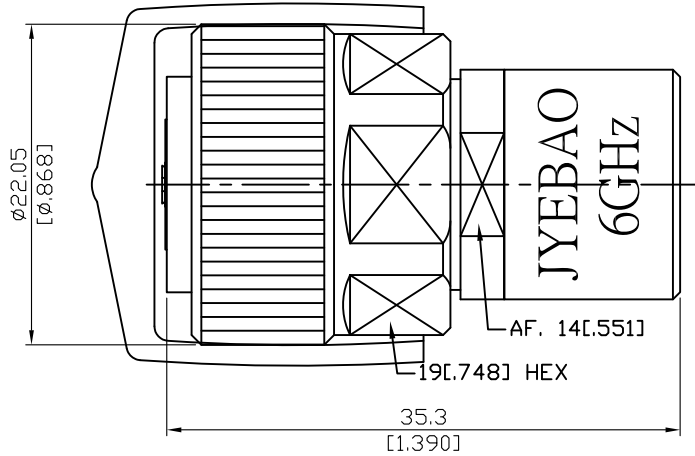


O-PC7-6G

7mm 50ohm Open
6GHz 0.1dB

50Ω



Notes:

1. Temperature range for optimal results: +20 °C to +26 °C
2. Storage temperature range: -20 °C to +75°C
3. When not in use put on cap to keep connector clean
4. Return loss test results shipped along with goods
5. Use with Jyebao short S-PC7-6G

OPEN				
FREQUENCY RANGE	DC-6GHz			
IMPEDANCE	50Ω			
OFFSET LENGTH	Agilent	Anritsu	Rohde & Schwarz	
	0 ps	0.0mm	0.0mm	
CAPACITANCE	Agilent / Anritsu		Rohde & Schwarz	
	C0	(1E-15) F	91.000	fF
C1	(1E-27) F/Hz	-220.000	f/GHz	-0.2200000
C2	(1E-36) F/Hz ²	75.000	f/GHz ²	0.0750000
C3	(1E-45) F/Hz ³	1.300	f/GHz ³	0.0013000
PHASE ERROR	DC-6GHz	≤ 1.5°		
RETURN LOSS	DC-6GHz	≤ 0.10dB		

Parts	Material	Plating (Micro-inch)
Cover	Aluminium	Anodized(Green)
Body	Brass	Tin-Zinc-Copper-Alloy 100 Over Copper 50
Coupling Nut	Stainless	Passivated
Cap	PVC	

This part number complies with RoHS.

Notice: JYEBAO reserves the right to make modifications deemed appropriate.