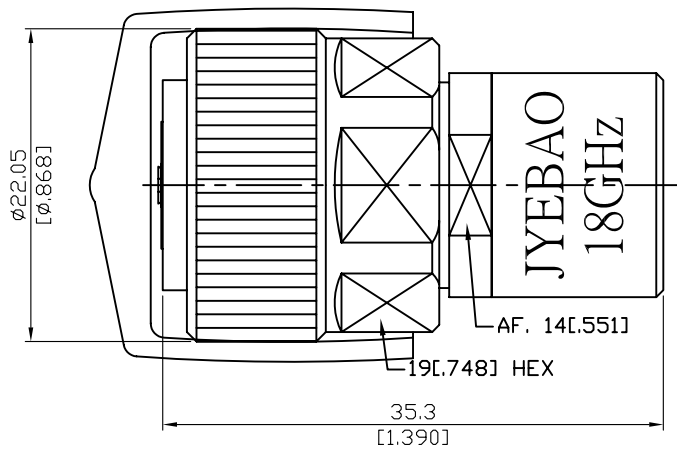


O-PC7-18G

7mm 50ohm Open  
18GHz 0.2dB

50Ω



Notes:

1. Temperature range for optimal results: +20 °C to +26 °C
2. Storage temperature range: -20 °C to +75°C
3. When not in use put on cap to keep connector clean
4. Return loss test results shipped along with goods
5. Use with Jyebao short S-PC7-18G

OPEN				
FREQUENCY RANGE	DC-18GHz			
IMPEDANCE	50Ω			
OFFSET LENGTH	Agilent	Anritsu	Rohde & Schwarz	
	0 ps	0.0mm	0.0mm	
CAPACITANCE	Agilent / Anritsu		Rohde & Schwarz	
	C0	(1E-15) F	91.000	fF
C1	(1E-27) F/Hz	-220.000	fF/GHz	-0.2200000
C2	(1E-36) F/Hz <sup>2</sup>	75.000	fF/GHz <sup>2</sup>	0.0750000
C3	(1E-45) F/Hz <sup>3</sup>	1.300	fF/GHz <sup>3</sup>	0.0013000
PHASE ERROR	DC-6GHz	≤ 1.5°		
	6-18GHz	≤ 2°		
RETURN LOSS	DC-6GHz	≤ 0.10dB		
	6-18GHz	≤ 0.20dB		

Parts	Material	Plating ( Micro-inch )
Cover	Aluminium	Anodized(Green)
Body	Brass	Tin-Zinc-Copper-Alloy 100 Over Copper 50
Coupling Nut	Stainless	Passivated
Cap	PVC	

This part number complies with RoHS.

Notice: JYEBAO reserves the right to make modifications deemed appropriate.