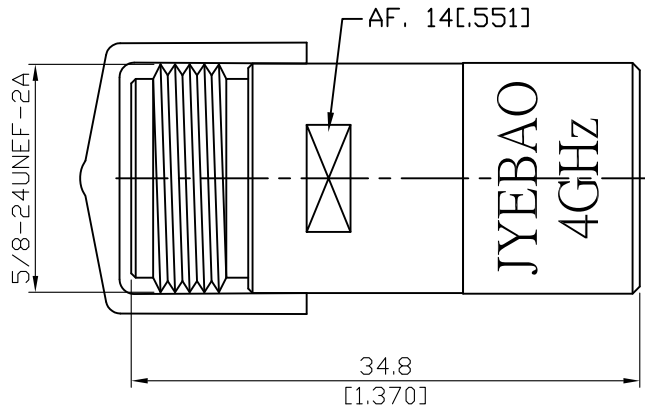


O-N-F-50-4G

N Jack 50ohm Open
4GHz 0.1dB

50Ω



OPEN				
Frequency Range	DC-4GHz			
Impedance	50Ω			
Offset length	Agilent	Anritsu	Rohde&Schwarz	
	42.70ps	12.81mm	12.81mm	
Capacitance	Agilent/Anritsu		Rohde&Schwarz	
	C0	(1E-15) F	-4.000	fF
C1	(1E-27) F/Hz	600.000	fF/GHz	0.6000000
C2	(1E-36) F/Hz ²	-10.000	fF/GHz ²	-0.0100000
C3	(1E-45) F/Hz ³	0.450	fF/GHz ³	0.0004500
Phase Error				
DC-4GHz	≤1.5°			
Return Loss				
DC-4GHz	≤0.10dB			

Notes:

1. Temperature range for optimal results: +20 °C to +26 °C
2. Storage temperature range: -20 °C to +75°C
3. When not in use put on cap to keep connector clean
4. Return loss test results shipped along with goods
5. Use with Jyebao short S-N-F-50-4G

Parts	Material	Plating (Micro-inch)
Cover	Aluminium	Anodized(Green)
Contact Pin	Beryllium Copper	Gold 4 Over Nickel-Phosphorus Alloy 80 Over Copper 20
Insulator	PPO	
Body	Brass	Tin-Zinc-Copper-Alloy 100 Over Copper 50
Cap	PVC	

This part number complies with RoHS.

Notice: JYEBAO reserves the right to make modifications deemed appropriate.

O-N-F-50-4G

OPEN return loss & phase error

