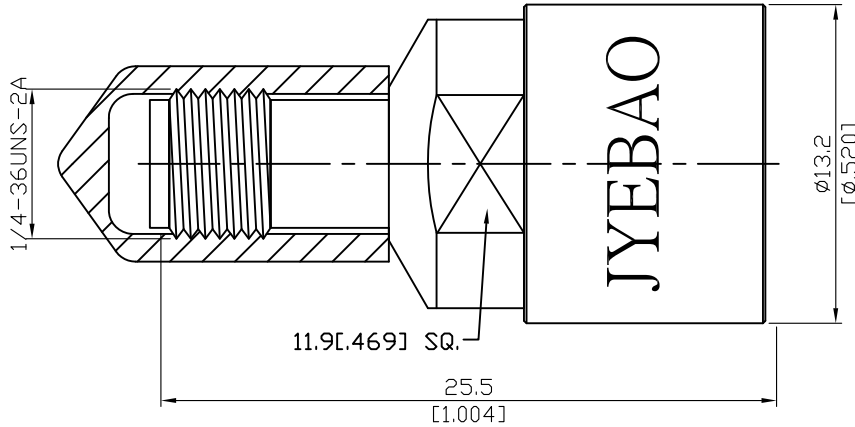


O-3.5-F-26.5G

3.5mm Jack 50ohm Open
26.5GHz 0.2dB

50Ω



OPEN					
Frequency Range	DC-26.5GHz				
Impedance	50Ω				
Offset length	Agilent	Anritsu	Rohde&Schwarz		
	29.243ps	8.5mm	8.5mm		
Capacitance	Agilent/Anritsu		Rohde&Schwarz		
	C0	(1E-15) F	49.43328	fF	49.4332800
	C1	(1E-27) F/Hz	-310.13104	fF/GHz	-0.3101310
	C2	(1E-36) F/Hz ²	23.16819	fF/GHz ²	0.0231682
	C3	(1E-45) F/Hz ³	-0.15966	fF/GHz ³	-0.0001597
Phase Error					
	DC-3GHz			≤0.65°	
	3-8GHz			≤1.2°	
	8-26.5GHz			≤2°	
Return Loss					
	DC-8GHz			≤0.10dB	
	8-20GHz			≤0.15dB	
	20-26.5GHz			≤0.20dB	

Notes:

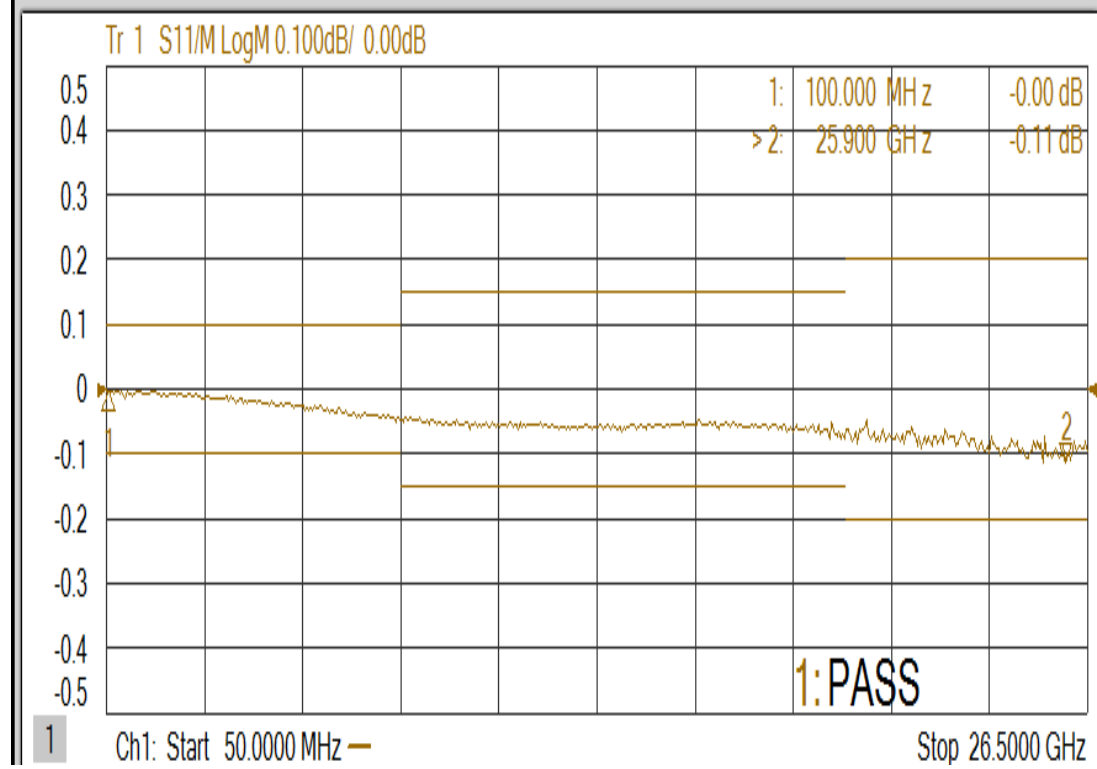
1. Temperature range for optimal results: +20 °C to +26 °C
2. Storage temperature range: -20 °C to +75°C
3. When not in use put on cap to keep connector clean
4. Return loss test results shipped along with goods (example below)
5. Use with Jyebao short S-3.5-F-26.5G

Parts	Material	Plating (Micro-inch)
Cover	Aluminium	Anodized(Green)
Contact Pin	Beryllium Copper	Gold 4 Over Nickel-Phosphorus Alloy 80 Over Copper 20
Insulator	PEI	
Body	Stainless Steel	Passivated
Cap	PVC	

This part number complies with RoHS.

Notice: JYEBAO reserves the right to make modifications deemed appropriate.

OPEN return loss



PHASE ERROR

1.2

OPEN

