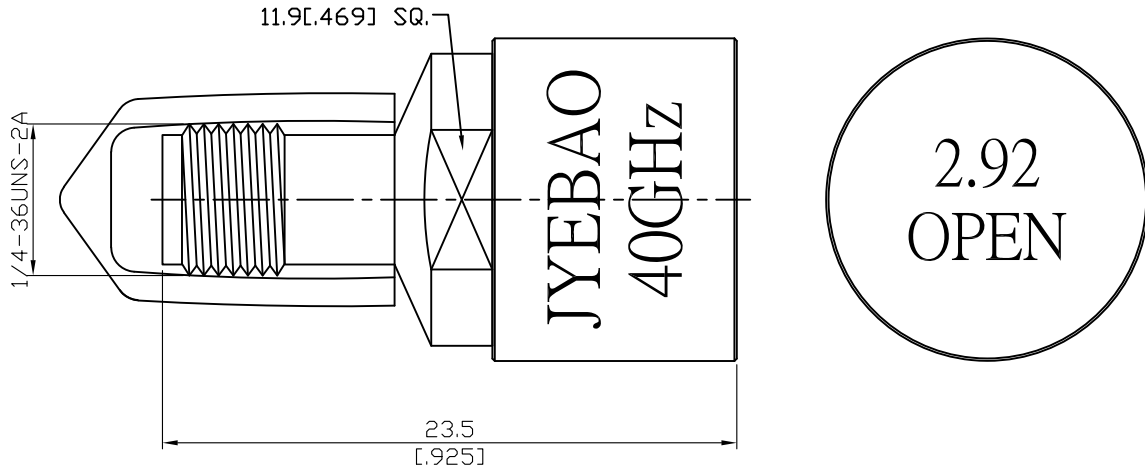


O-2.92-F-40G

2.92mm Jack 50ohm Open
40GHz 0.2dB

50Ω



OPEN				
Frequency Range	DC-40GHz			
Impedance	50Ω			
Offset length	Agilent	Anritsu	Rohde&Schwarz	
	16.70ps	5.01mm	5.01mm	
Capacitance	Agilent/Anritsu		Rohde&Schwarz	
	C0	(1E-15) F	5.000	fF
C1	(1E-27) F/Hz	0.000	fF/GHz	0.0000000
C2	(1E-36) F/Hz ²	1.500	fF/GHz ²	0.0015000
C3	(1E-45) F/Hz ³	0.100	fF/GHz ³	0.0001000
Phase Error				
DC-6GHz	≤1°			
6-26.5GHz	≤2°			
26.5-40GHz	≤3°			
Return Loss				
DC-18GHz	≤0.10dB			
18-40GHz	≤0.20dB			

Notes:

1. Temperature range for optimal results: +20 °C to +26 °C
2. Storage temperature range: -20 °C to +75°C
3. When not in use put on cap to keep connector clean
4. Return loss test results shipped along with goods (example below)
5. Use with Jyebao short S-2.92-F-40G

Parts	Material	Plating (Micro-inch)
Cover	Aluminium	Anodized(Green)
Contact Pin	Beryllium Copper	Gold 4 Over Nickel-Phosphorus Alloy 80 Over Copper 20
Insulator	PPO	
Body	Stainless Steel	Passivated
Cap	PVC	

This part number complies with RoHS.

Notice: JYEBAO reserves the right to make modifications deemed appropriate.

Test equipment	MS4647B NETWORK ANALYZER	
Return Loss	Test result	
Open	<p>SoftPlot Measurement Presentation</p> <p>S22</p> <p>1 S22 ▽ 28.8300 GHz 0.04 dB</p> <p>2 S22 ▽ 27.3600 GHz -0.06 dB</p> <p>Start: 10.0000 MHz Stop: 40.0000 GHz</p> <p>PASS</p>	

Test equipment	MS4647B NETWORK ANALYZER	
Phase error	TOSLKF50A-40	O-2.92-F-40G
Open	<p>SoftPlot Measurement Presentation</p> <p>S22</p> <p>1 S22 ▽ 6.0000 GHz -74.24 degs</p> <p>2 S22 ▽ 26.5000 GHz 29.61 degs</p> <p>3 S22 ▽ 40.0000 GHz -148.72 degs</p> <p>Start: 10.0000 MHz Stop: 40.0000 GHz</p>	
	<p>SoftPlot Measurement Presentation</p> <p>S22</p> <p>1 S22 ▽ 6.0000 GHz -74.42 degs</p> <p>2 S22 ▽ 26.5000 GHz 28.92 degs</p> <p>3 S22 ▽ 40.0000 GHz -147.59 degs</p> <p>Start: 10.0000 MHz Stop: 40.0000 GHz</p>	