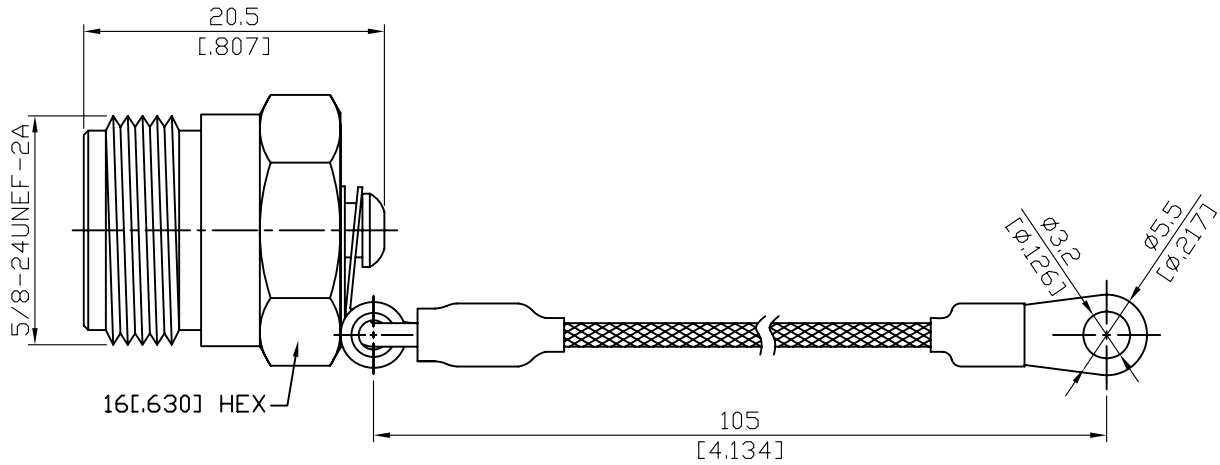


N88NY-105MM/BL

Black Chromium Plated N Jack Cap
With Black Nylon Cord



Parts	Material	Plating (Micro-inch)
Insulator	Teflon	
Nylon Cord		
Tube	Polyolefin	
Free Reed	Cold Rolled Stainless Steel	Black Chromium 5 Over Copper 50
Rivet	Brass	Black Chromium 5 Over Copper 50
Body	Brass	Black Chromium 5 Over Copper 50

This part number complies with RoHS.

Notice: JYEBAO reserves the right to make modifications demand appropriate.