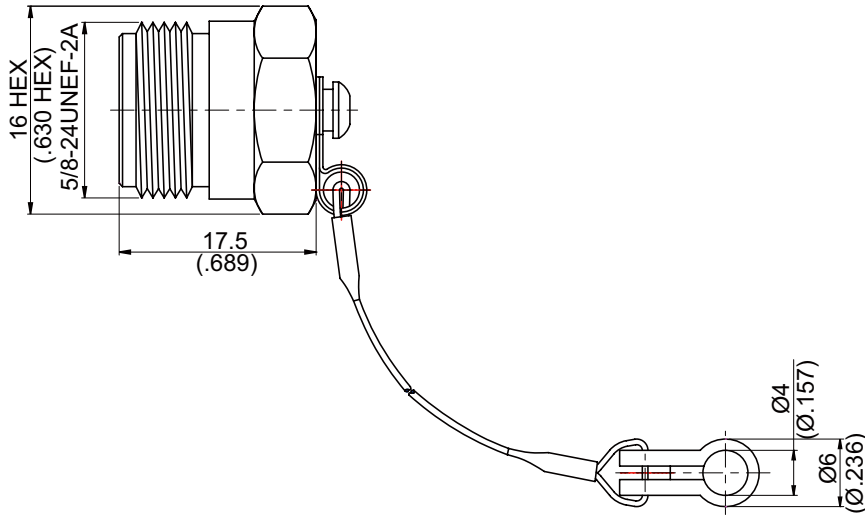


N88NY-0000

Stainless Steel Wire N Jack Cap 50Ω



**NOTE: BLACK CHROMIUM SURFACE TREATMENT**

Parts	Material	Plating (Micro-inch)
Chain	Stainless Steel	Black Chromium 50 Over Copper 50
Rivet	Brass	Black Chromium 50 Over Copper 50
Body	Brass	Black Chromium 50 Over Copper 50

Weight: 24.02 g

This part number complies with RoHS.

Notice: JYEBAO reserves the right to make modifications deemed appropriate.