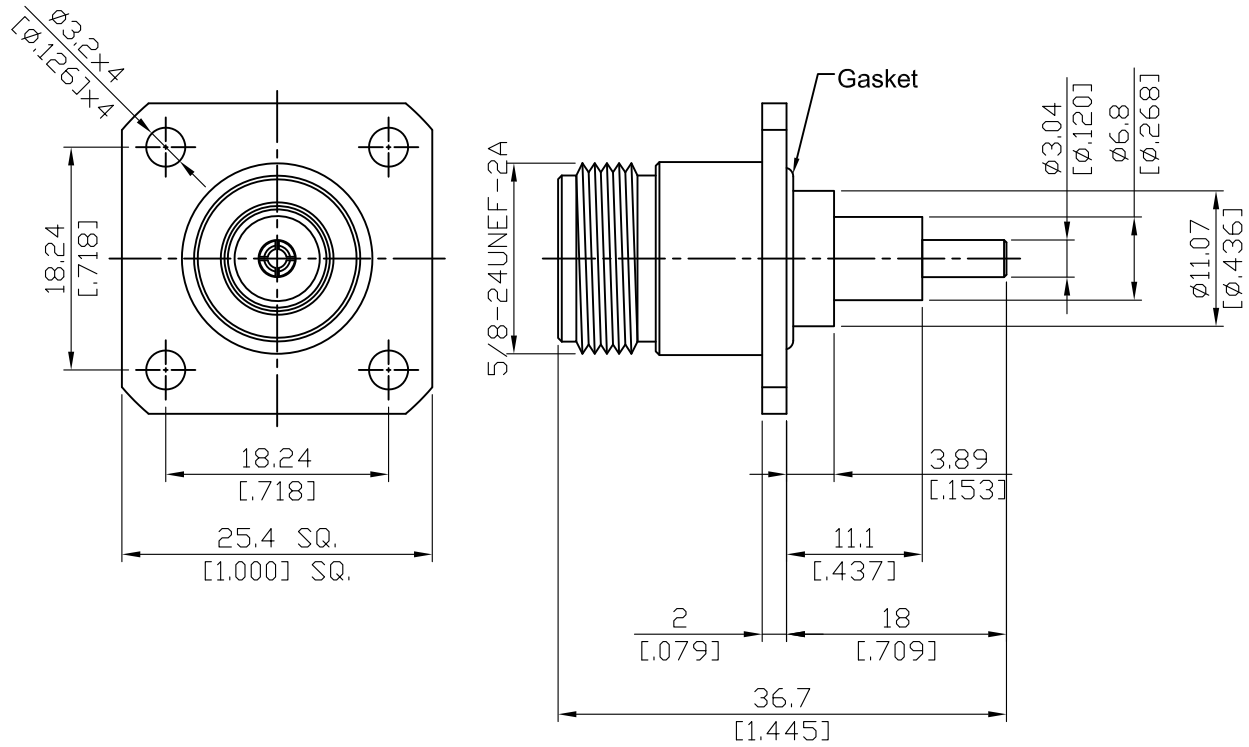


N864VI-0000

N Jack SQ 25.4mm 4 Hole Flange With Round Contact
(Φ3.04;L=6.9), PTFE L=11.1; Hermetic; 4.5GHz VSWR 1.2

50Ω



Hermetically sealed at 12 psi

| Parts | Material | Plating (Micro-inch) |
|-------------|------------------|---|
| Gasket | Silicone | |
| Contact Pin | Brass | Gold 4 Over Nickel-Phosphorus Alloy 80 Over Copper 20 |
| Contact Pin | Beryllium Copper | Gold 4 Over Nickel-Phosphorus Alloy 80 Over Copper 20 |
| Insulator | Fluoroloy H | |
| Body | Stainless Steel | Passivated |

This part number complies with RoHS.

Notice: JYEBAO reserves the right to make modifications deemed appropriate.

| N | N864VI-0000 | | | | | | | | | | | | | | | | | | |
|--|--------------------------------------|---------------------------------|------------------|-----------------------|--------------------------------------|---------------------------|-------------------------|---------------------|--------------------------------------|-----------------------|-----------|------------------------------------|---------|------------------------------------|-------|--|------------|--------------------------------|------------|
| <div data-bbox="167 347 568 392" style="border: 1px solid black; padding: 2px;">Interface</div> <p>MIL-STD-348B</p> | | | | | | | | | | | | | | | | | | | |
| <div data-bbox="167 512 568 557" style="border: 1px solid black; padding: 2px;">Electrical Data</div> <table border="0" style="width: 100%;"> <tr> <td style="width: 50%;">Impedance</td> <td style="width: 50%;">50Ω</td> </tr> <tr> <td>Frequency range</td> <td>DC to 4.5GHz</td> </tr> <tr> <td>VSWR</td> <td>≦ 1.2 (DC to 4.5GHz)</td> </tr> <tr> <td>Insertion loss</td> <td>≦ 0.05 x √f(GHz) dB</td> </tr> <tr> <td>Insulation resistance</td> <td>≧ 5000MΩ</td> </tr> <tr> <td>Contact resistance inner conductor</td> <td>≦ 1.5mΩ</td> </tr> <tr> <td>Contact resistance outer conductor</td> <td>≦ 1mΩ</td> </tr> <tr> <td>Dielectric withstanding voltage (at sea level)</td> <td>2500 V rms</td> </tr> <tr> <td>Working voltage (at sea level)</td> <td>1000 V rms</td> </tr> </table> | | Impedance | 50Ω | Frequency range | DC to 4.5GHz | VSWR | ≦ 1.2 (DC to 4.5GHz) | Insertion loss | ≦ 0.05 x √f(GHz) dB | Insulation resistance | ≧ 5000MΩ | Contact resistance inner conductor | ≦ 1.5mΩ | Contact resistance outer conductor | ≦ 1mΩ | Dielectric withstanding voltage (at sea level) | 2500 V rms | Working voltage (at sea level) | 1000 V rms |
| Impedance | 50Ω | | | | | | | | | | | | | | | | | | |
| Frequency range | DC to 4.5GHz | | | | | | | | | | | | | | | | | | |
| VSWR | ≦ 1.2 (DC to 4.5GHz) | | | | | | | | | | | | | | | | | | |
| Insertion loss | ≦ 0.05 x √f(GHz) dB | | | | | | | | | | | | | | | | | | |
| Insulation resistance | ≧ 5000MΩ | | | | | | | | | | | | | | | | | | |
| Contact resistance inner conductor | ≦ 1.5mΩ | | | | | | | | | | | | | | | | | | |
| Contact resistance outer conductor | ≦ 1mΩ | | | | | | | | | | | | | | | | | | |
| Dielectric withstanding voltage (at sea level) | 2500 V rms | | | | | | | | | | | | | | | | | | |
| Working voltage (at sea level) | 1000 V rms | | | | | | | | | | | | | | | | | | |
| <div data-bbox="167 1057 568 1102" style="border: 1px solid black; padding: 2px;">Mechanical Data</div> <table border="0" style="width: 100%;"> <tr> <td style="width: 50%;">Recommended coupling nut torque</td> <td style="width: 50%;">6 to 10 inch lbs</td> </tr> <tr> <td>Coupling proof torque</td> <td>15 inch lbs</td> </tr> <tr> <td>Contact captivation-axial</td> <td>≧ 6.3 lbs</td> </tr> <tr> <td>Durability (mating)</td> <td>≧ 500</td> </tr> </table> | | Recommended coupling nut torque | 6 to 10 inch lbs | Coupling proof torque | 15 inch lbs | Contact captivation-axial | ≧ 6.3 lbs | Durability (mating) | ≧ 500 | | | | | | | | | | |
| Recommended coupling nut torque | 6 to 10 inch lbs | | | | | | | | | | | | | | | | | | |
| Coupling proof torque | 15 inch lbs | | | | | | | | | | | | | | | | | | |
| Contact captivation-axial | ≧ 6.3 lbs | | | | | | | | | | | | | | | | | | |
| Durability (mating) | ≧ 500 | | | | | | | | | | | | | | | | | | |
| <div data-bbox="167 1413 568 1458" style="border: 1px solid black; padding: 2px;">Environmental Data</div> <table border="0" style="width: 100%;"> <tr> <td style="width: 50%;">Temperature range</td> <td style="width: 50%;">-65°C to +165°C</td> </tr> <tr> <td>Thermal shock</td> <td>MIL-STD-202, Method 107, Condition B</td> </tr> <tr> <td>Moisture resistance</td> <td>MIL-STD-202, Method 106</td> </tr> <tr> <td>Corrosion</td> <td>MIL-STD-202, Method 101, Condition B</td> </tr> <tr> <td>RoHS</td> <td>Compliant</td> </tr> </table> | | Temperature range | -65°C to +165°C | Thermal shock | MIL-STD-202, Method 107, Condition B | Moisture resistance | MIL-STD-202, Method 106 | Corrosion | MIL-STD-202, Method 101, Condition B | RoHS | Compliant | | | | | | | | |
| Temperature range | -65°C to +165°C | | | | | | | | | | | | | | | | | | |
| Thermal shock | MIL-STD-202, Method 107, Condition B | | | | | | | | | | | | | | | | | | |
| Moisture resistance | MIL-STD-202, Method 106 | | | | | | | | | | | | | | | | | | |
| Corrosion | MIL-STD-202, Method 101, Condition B | | | | | | | | | | | | | | | | | | |
| RoHS | Compliant | | | | | | | | | | | | | | | | | | |
| <div data-bbox="167 1765 568 1809" style="border: 1px solid black; padding: 2px;">Tooling</div> | | | | | | | | | | | | | | | | | | | |

Notice: JYEBAO reserves the right to make modifications deemed appropriate.

N864VI-0000

S11

