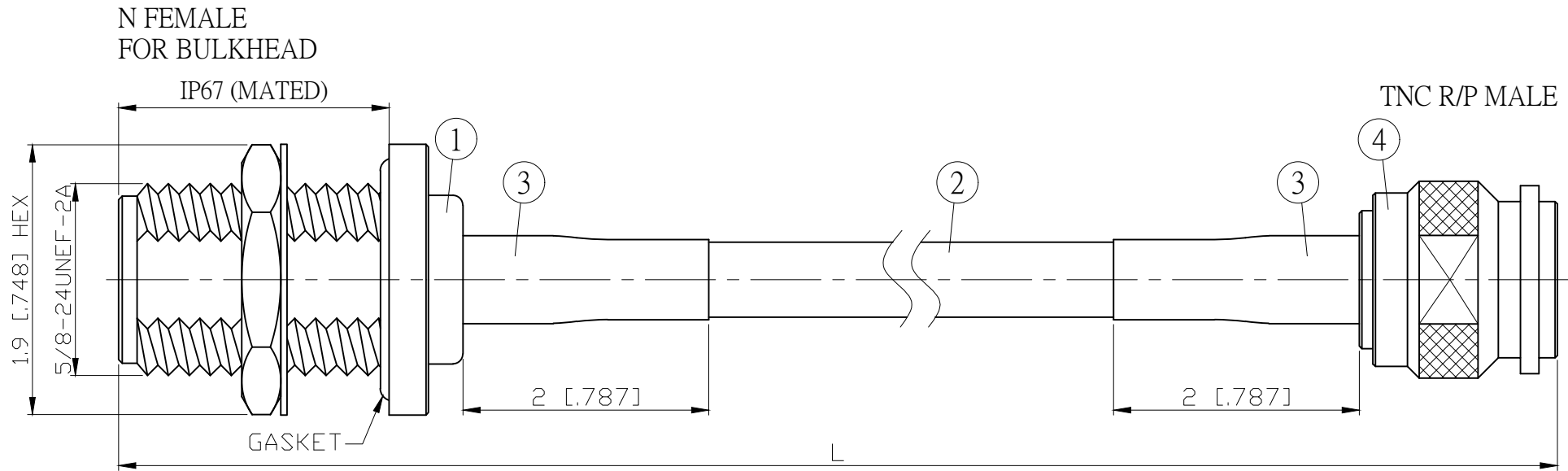
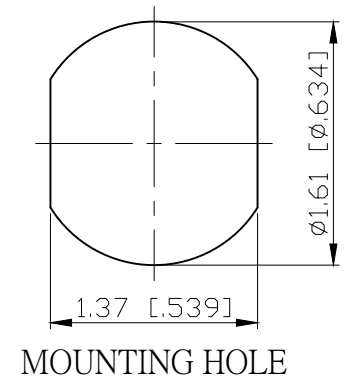


NO.	COMPONENTS	IMPEDANCE
1	N FEMALE FOR BULKHEAD	50 OHM
2	JBY240	50 OHM
3	HEAT SHRINKING TUBE	
4	TNC REVERSE POLARITY MALE	50 OHM

REVISION			
REV.	DESCRIPTION	DATE	APPROVED
-	INITIAL RELEASE	2012/08/15	



JYE BAO P/N	L CM (INCH)	L1 FT (MM)
N85T60-L240-15	15 (5.906)	0.397 (121.0)
N85T60-L240-30	30 (11.811)	0.889 (271.0)
N85T60-L240-50	50 (19.685)	1.545 (471.0)
N85T60-L240-100	100 (39.370)	3.186 (971.0)
N85T60-L240-150	150 (59.055)	4.826 (1471.0)
N85T60-L240-200	200 (78.740)	6.467 (1971.0)
N85T60-L240-XXX	CUSTOM LENGTH IN CM	- - -



NO.	PARTS NO.	DESCRIPTION	QTY	UM
4	TNC6100-L240	TNC R/P PLUG	1	EA
3	G5(F)-8.0MM-BLACK	TUBE	0.04	M
2	JBY240	CABLE	L1 (SEE TABLE)	FT
1	N8105-L240	N JACK	1	EA

STANDARD	REV	UNIT
	-	CM(INCH)
APPROVED		DATE
CHECKED		DATE
DRAWING	Albert	DATE

JYE BAO CO., LTD.	
TAIPEI TAIWAN	
DESCRIPTION	CABLE ASSEMBLY N JACK FOR BULKHEAD TO TNC R/P PLUG
JYE BAO DRAWING NO.	N85T60-L240-XXX

LENGTH TOLERANCE IS ±1.5% OR ±10MM, WHICHEVER IS GREATER.