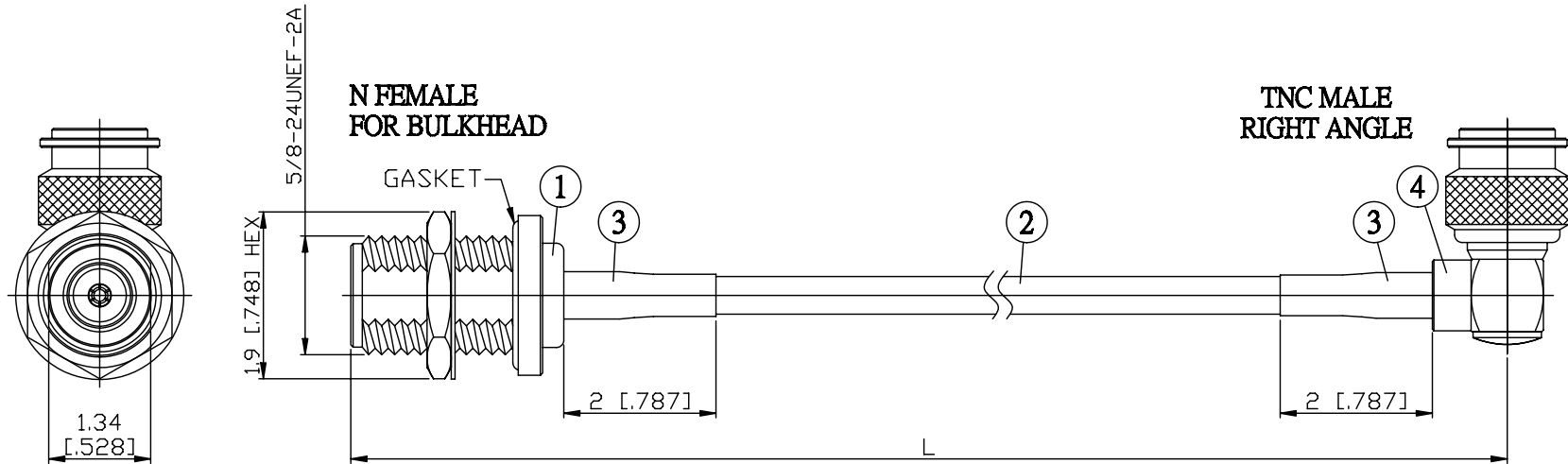
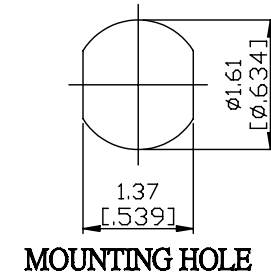


NO.	COMPONENTS	IMPEDANCE
1	N FEMALE FOR BULKHEAD	50 OHM
2	RG58	50 OHM
3	HEAT SHRINKING TUBE	
4	TNC MALE RIGHT ANGLE	50 OHM



JYE BAO P/N	L CM (INCH)
N85T39-58-15	15 (5.906)
N85T39-58-30	30 (11.811)
N85T39-58-50	50 (19.685)
N85T39-58-100	100 (39.370)
N85T39-58-150	150 (59.055)
N85T39-58-200	200 (78.740)
N85T39-58-XXX	CUSTOM LENGTH IN CM



LENGTH TOLERANCE IS $\pm 1.5\%$ OR $\pm 10\text{MM}$ , WHICHEVER IS GREATER.	<b>JYE BAO CO., LTD.</b> TAIPEI TAIWAN
	DESCRIPTION CABLE ASSEMBLY N JACK FOR BULKHEAD TO TNC PLUG R/A
	JYE BAO DRAWING NO. N85T39-58-XXX