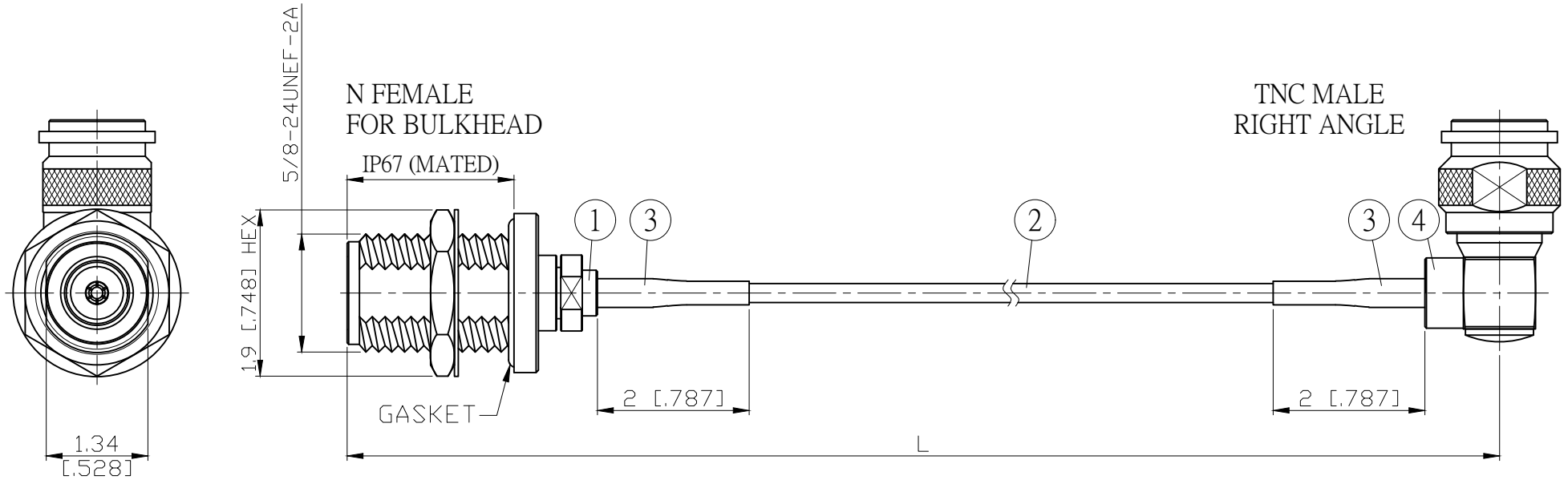
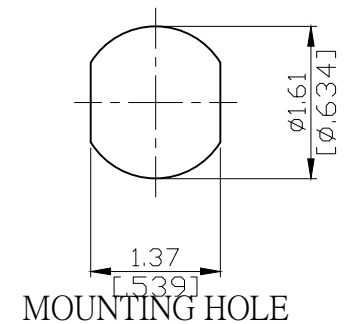


| NO. | COMPONENTS | IMPEDANCE |
|-----|-----------------------|-----------|
| 1 | N FEMALE FOR BULKHEAD | 50 OHM |
| 2 | RG316 | 50 OHM |
| 3 | HEAT SHRINKING TUBE | |
| 4 | TNC MALE RIGHT ANGLE | 50 OHM |

| REVISION | | | |
|----------|-----------------|------------|----------|
| REV. | DESCRIPTION | DATE | APPROVED |
| - | INITIAL RELEASE | 2012/08/15 | |



| JYE BAO P/N | L CM (INCH) | L1 FT (MM) |
|----------------|------------------------|----------------|
| N85T39-316-15 | 15 (5.906) | 0.438 (133.5) |
| N85T39-316-30 | 30 (11.811) | 0.930 (283.5) |
| N85T39-316-50 | 50 (19.685) | 1.586 (483.5) |
| N85T39-316-100 | 100 (39.370) | 3.227 (983.5) |
| N85T39-316-150 | 150 (59.055) | 4.867 (1483.5) |
| N85T39-316-200 | 200 (78.740) | 6.508 (1983.5) |
| N85T39-316-XXX | CUSTOM LENGTH IN CM | - - - |



| | | | | | STANDARD | REV - | UNIT CM(INCH) | JYE BAO CO., LTD. | |
|-----|-------------------|--------------|----------------|-----|---|----------|------------------|--|--|
| | | | | | APPROVED | | | TAIPEI TAIWAN | |
| | | | | | CHECKED | | | DESCRIPTION CABLE ASSEMBLY N JACK FOR BULKHEAD TO TNC PLUG R/A | |
| | | | | | DRAWING | | | JYE BAO DRAWING NO. N85T39-316-XXX | |
| | | | | | Albert | | | | |
| 4 | TNC3100-9316 | TNC PLUG R/A | 1 | EA | LENGTH TOLERANCE IS ±1.5% OR ±10MM, WHICHEVER IS GREATER. | | | | |
| 3 | G5(F)-4.0MM-BLACK | TUBE | 0.04 | M | | | | | |
| 2 | RG316 | CABLE | L1 (SEE TABLE) | FT | | | | | |
| 1 | N8105P-0316 | N JACK | 1 | EA | | | | | |
| NO. | PARTS NO. | DESCRIPTION | QTY | U/M | | | | | |