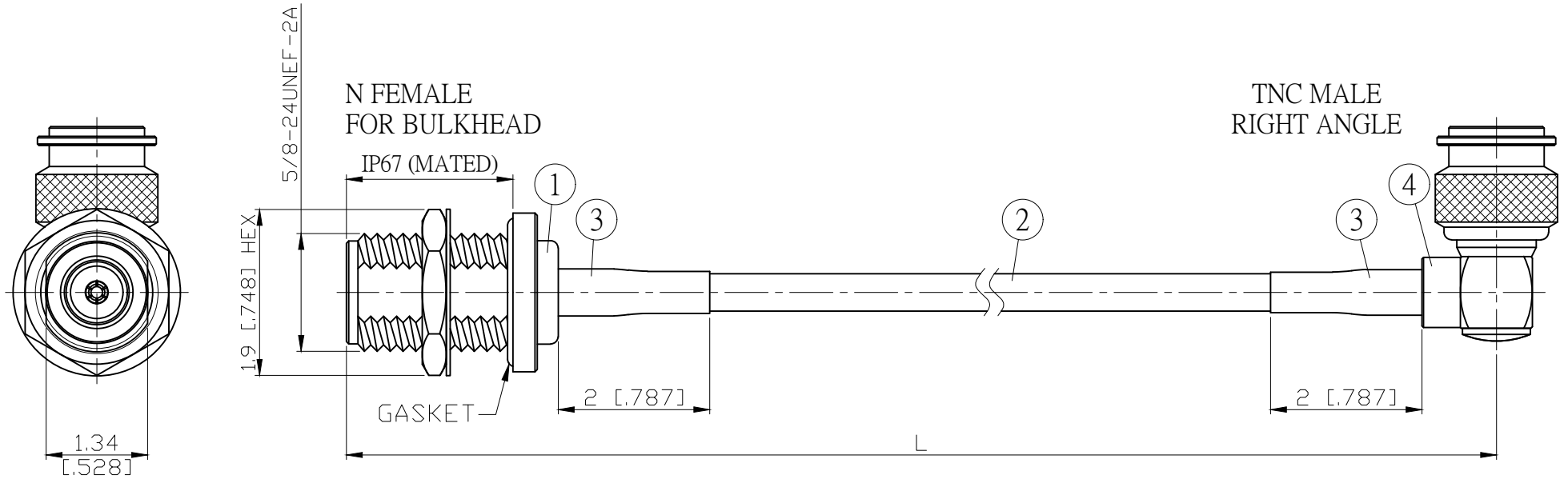
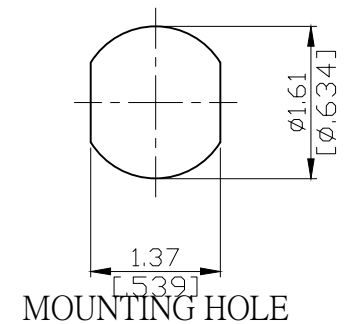


| NO. | COMPONENTS            | IMPEDANCE |
|-----|-----------------------|-----------|
| 1   | N FEMALE FOR BULKHEAD | 50 OHM    |
| 2   | RG142                 | 50 OHM    |
| 3   | HEAT SHRINKING TUBE   |           |
| 4   | TNC MALE RIGHT ANGLE  | 50 OHM    |

| REVISION |                 |            |          |
|----------|-----------------|------------|----------|
| REV.     | DESCRIPTION     | DATE       | APPROVED |
| -        | INITIAL RELEASE | 2012/08/15 |          |



| JYE BAO P/N    | L<br>CM (INCH)         | L1<br>FT (MM)  |
|----------------|------------------------|----------------|
| N85T39-142-15  | 15 (5.906)             | 0.431 (131.5)  |
| N85T39-142-30  | 30 (11.811)            | 0.924 (281.5)  |
| N85T39-142-50  | 50 (19.685)            | 1.580 (481.5)  |
| N85T39-142-100 | 100 (39.370)           | 3.220 (981.5)  |
| N85T39-142-150 | 150 (59.055)           | 4.861 (1481.5) |
| N85T39-142-200 | 200 (78.740)           | 6.501 (1981.5) |
| N85T39-142-XXX | CUSTOM<br>LENGTH IN CM | - - -          |



| NO. | PARTS NO.         | DESCRIPTION  | Q'TY           | U/M |
|-----|-------------------|--------------|----------------|-----|
| 4   | TNC3100-9142      | TNC PLUG R/A | 1              | EA  |
| 3   | G5(F)-8.0MM-BLACK | TUBE         | 0.04           | M   |
| 2   | RG142             | CABLE        | L1 (SEE TABLE) | FT  |
| 1   | N8105-0142        | N JACK       | 1              | EA  |

|   |                |       |               |
|---|----------------|-------|---------------|
| LENGTH TOLERANCE IS ±1.5% OR ±10MM, WHICHEVER IS GREATER. | STANDARD       | REV - | UNIT CM(INCH) |
|   | APPROVED       |       | DATE          |
|   | CHECKED        |       | DATE          |
|   | DRAWING Albert |       | DATE          |

|                          |  |
|--------------------------|--|
| <b>JYE BAO CO., LTD.</b> |  |
| TAIPEI TAIWAN            |  |
| DESCRIPTION              | CABLE ASSEMBLY N JACK FOR BULKHEAD TO TNC PLUG R/A |
| JYE BAO DRAWING NO.      | N85T39-142-XXX                                     |