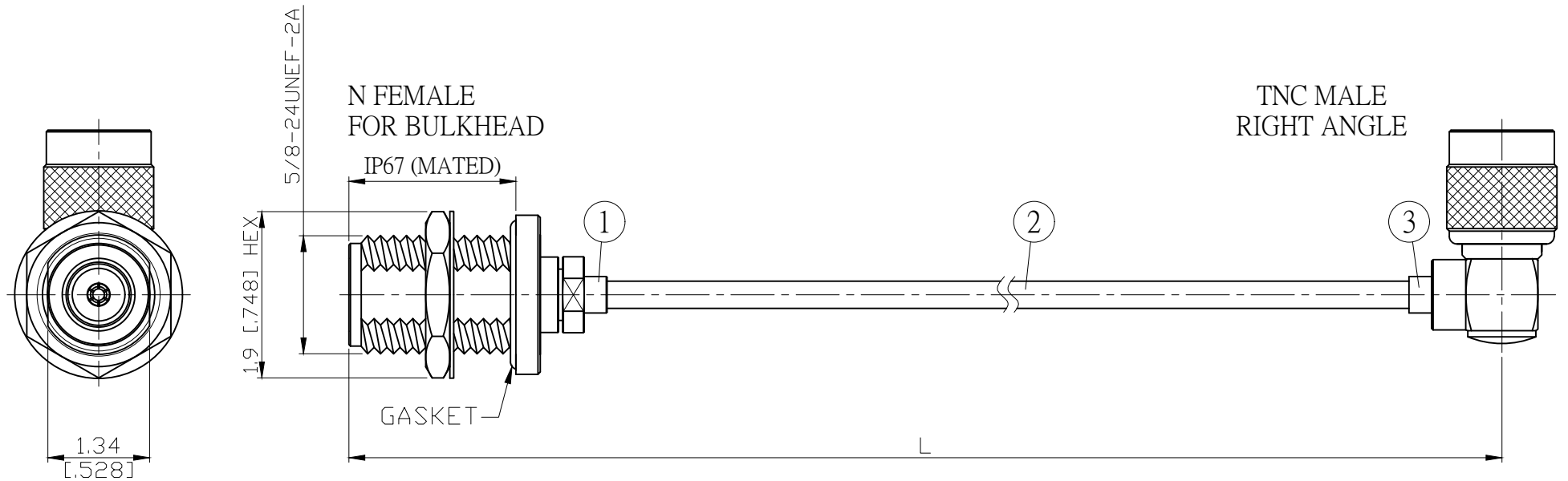
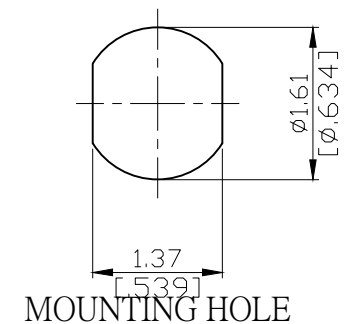


| NO. | COMPONENTS | IMPEDANCE |
|-----|--|-----------|
| 1 | N FEMALE FOR BULKHEAD | 50 OHM |
| 2 | .141" TIN PLATED SEMI-RIGID CABLE (TIN PLATED RG402) | 50 OHM |
| 3 | TNC MALE RIGHT ANGLE | 50 OHM |

| REVISION | | | |
|----------|-----------------|------------|----------|
| REV. | DESCRIPTION | DATE | APPROVED |
| - | INITIAL RELEASE | 2012/08/15 | |



| JYE BAO P/N | L CM (INCH) | L1 FT (MM) |
|-----------------|------------------------|----------------|
| N85T39-141T-15 | 15 (5.906) | 0.436 (133.0) |
| N85T39-141T-30 | 30 (11.811) | 0.928 (283.0) |
| N85T39-141T-50 | 50 (19.685) | 1.585 (483.0) |
| N85T39-141T-100 | 100 (39.370) | 3.225 (983.0) |
| N85T39-141T-150 | 150 (59.055) | 4.865 (1483.0) |
| N85T39-141T-200 | 200 (78.740) | 6.506 (1983.0) |
| N85T39-141T-XXX | CUSTOM LENGTH IN CM | - - - |



| | | | | | | | | | |
|-----|----------------|--------------|----------------|-------------------|---|-------|------------------|--|--|
| | | | | STANDARD | | REV - | UNIT CM(INCH) | JYE BAO CO., LTD. | |
| | | | | APPROVED | | DATE | | TAIPEI TAIWAN | |
| | | | | CHECKED | | DATE | | DESCRIPTION CABLE ASSEMBLY N JACK FOR BULKHEAD TO TNC PLUG R/A | |
| | | | | DRAWING Albert | | DATE | | JYE BAO DRAWING NO. N85T39-141T-XXX | |
| 3 | TNC3300-9141 | TNC PLUG R/A | 1 | EA | LENGTH TOLERANCE IS ±1.5% OR ±10MM, WHICHEVER IS GREATER. | | | | |
| 2 | .141TIN-W-P-50 | CABLE | L1 (SEE TABLE) | FT | | | | | |
| 1 | N8305P-0141 | N JACK | 1 | EA | | | | | |
| NO. | PARTS NO. | DESCRIPTION | QTY | U/M | | | | | |