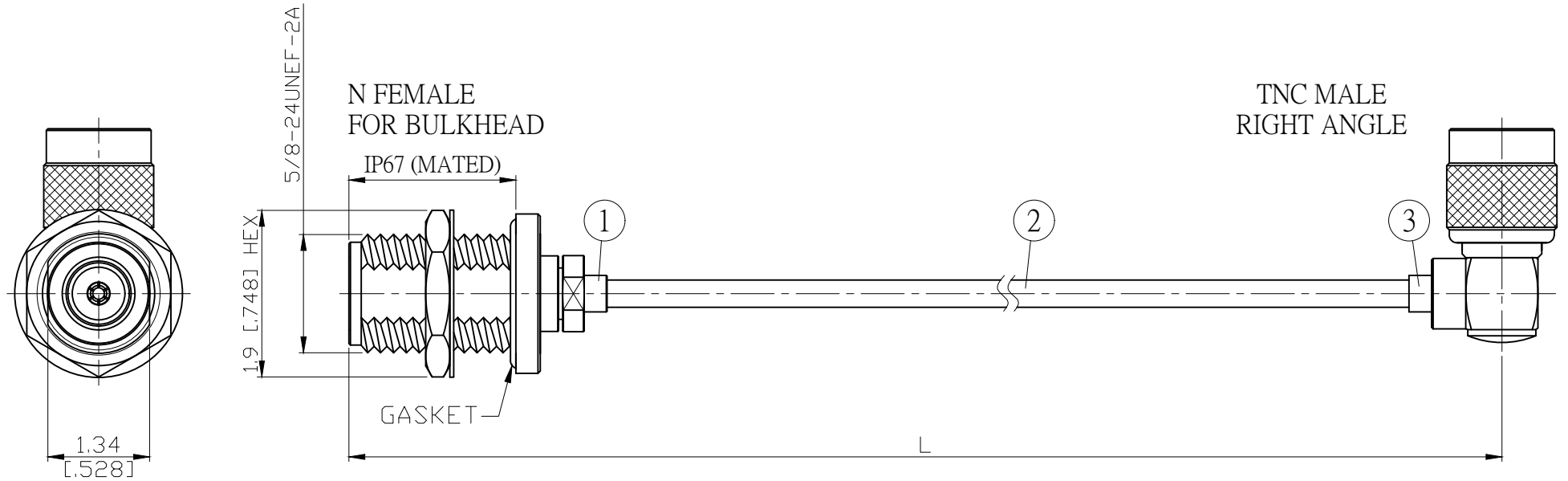
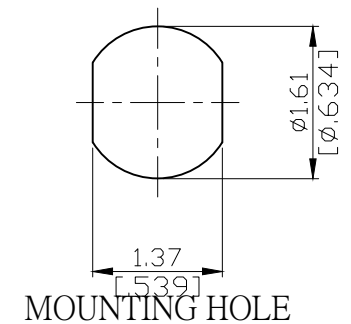


NO.	COMPONENTS	IMPEDANCE
1	N FEMALE FOR BULKHEAD	50 OHM
2	.141" HANDBENDABLE CABLE (= JYEBAO P/N .141SRF-W-P-50)	50 OHM
3	TNC MALE RIGHT ANGLE	50 OHM

REVISION			
REV.	DESCRIPTION	DATE	APPROVED
-	INITIAL RELEASE	2012/08/15	



JYE BAO P/N	L CM (INCH)	L1 FT (MM)
N85T39-141S-15	15 (5.906)	0.436 (133.0)
N85T39-141S-30	30 (11.811)	0.928 (283.0)
N85T39-141S-50	50 (19.685)	1.585 (483.0)
N85T39-141S-100	100 (39.370)	3.225 (983.0)
N85T39-141S-150	150 (59.055)	4.865 (1483.0)
N85T39-141S-200	200 (78.740)	6.506 (1983.0)
N85T39-141S-XXX	CUSTOM LENGTH IN CM	- - -



				STANDARD	REV -	UNIT CM(INCH)	JYE BAO CO., LTD. TAIPEI TAIWAN
				APPROVED		DATE	
				CHECKED		DATE	
				DRAWING Albert		DATE	
3	TNC3300-9141	TNC PLUG R/A	1	EA			DESCRIPTION CABLE ASSEMBLY N JACK FOR BULKHEAD TO TNC PLUG R/A
2	.141SRF-W-P-50	CABLE	L1 (SEE TABLE)	FT			
1	N8305P-0141	N JACK	1	EA			JYE BAO DRAWING NO. N85T39-141S-XXX
NO.	PARTS NO.	DESCRIPTION	QTY	UM			

LENGTH TOLERANCE
IS ±1.5% OR ±10MM,
WHICHEVER IS
GREATER.