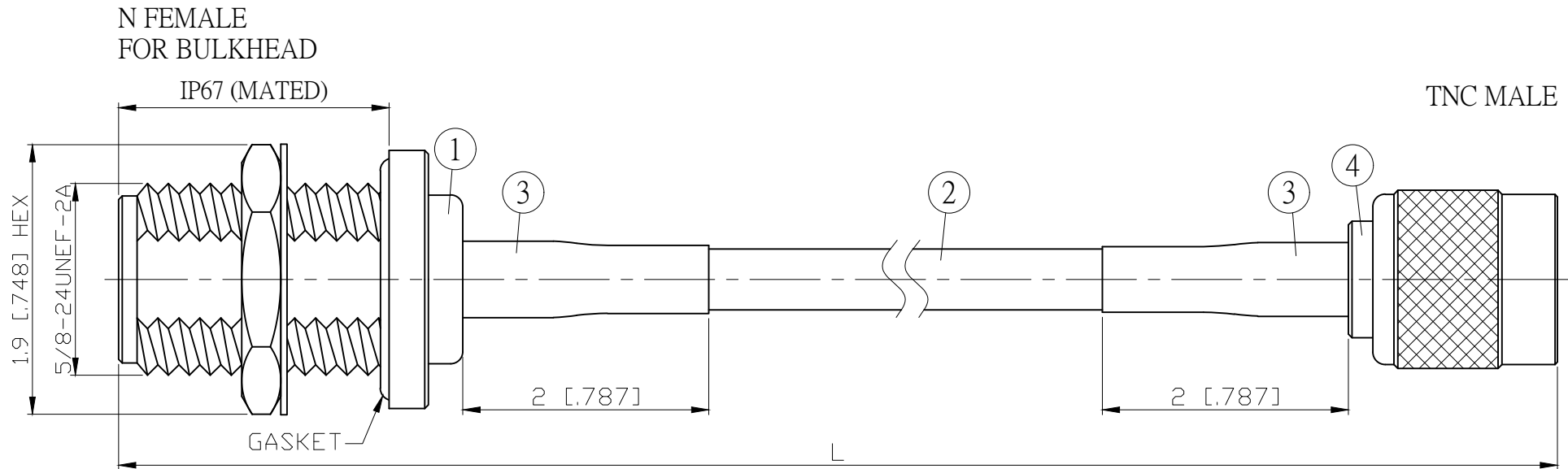
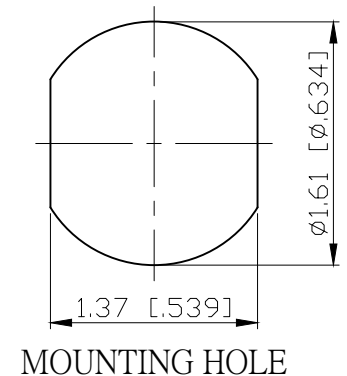


NO.	COMPONENTS	IMPEDANCE
1	N FEMALE FOR BULKHEAD	50 OHM
2	JBY195	50 OHM
3	HEAT SHRINKING TUBE	
4	TNC MALE	50 OHM

REVISION			
REV.	DESCRIPTION	DATE	APPROVED
-	INITIAL RELEASE	2012/08/15	



JYE BAO P/N	L CM (INCH)	L1 FT (MM)
N85T30-L195-15	15 (5.906)	0.399 (121.5)
N85T30-L195-30	30 (11.811)	0.891 (271.5)
N85T30-L195-50	50 (19.685)	1.547 (471.5)
N85T30-L195-100	100 (39.370)	3.187 (971.5)
N85T30-L195-150	150 (59.055)	4.828 (1471.5)
N85T30-L195-200	200 (78.740)	6.468 (1971.5)
N85T30-L195-XXX	CUSTOM LENGTH IN CM	- - -



NO.	PARTS NO.	DESCRIPTION	QTY	U/M
4	TNC3100-0058	TNC PLUG	1	EA
3	G5(F)-8.0MM-BLACK	TUBE	0.04	M
2	JBY195	CABLE	L1 (SEE TABLE)	FT
1	N8105-0058	N JACK	1	EA

STANDARD	REV	UNIT
	-	CM(INCH)
APPROVED		DATE
CHECKED		DATE
DRAWING	Albert	DATE

JYE BAO CO., LTD.	
TAIPEI TAIWAN	
DESCRIPTION	CABLE ASSEMBLY N JACK FOR BULKHEAD TO TNC PLUG
JYE BAO DRAWING NO.	N85T30-L195-XXX

LENGTH TOLERANCE IS $\pm 1.5\%$ OR $\pm 10\text{MM}$, WHICHEVER IS GREATER.