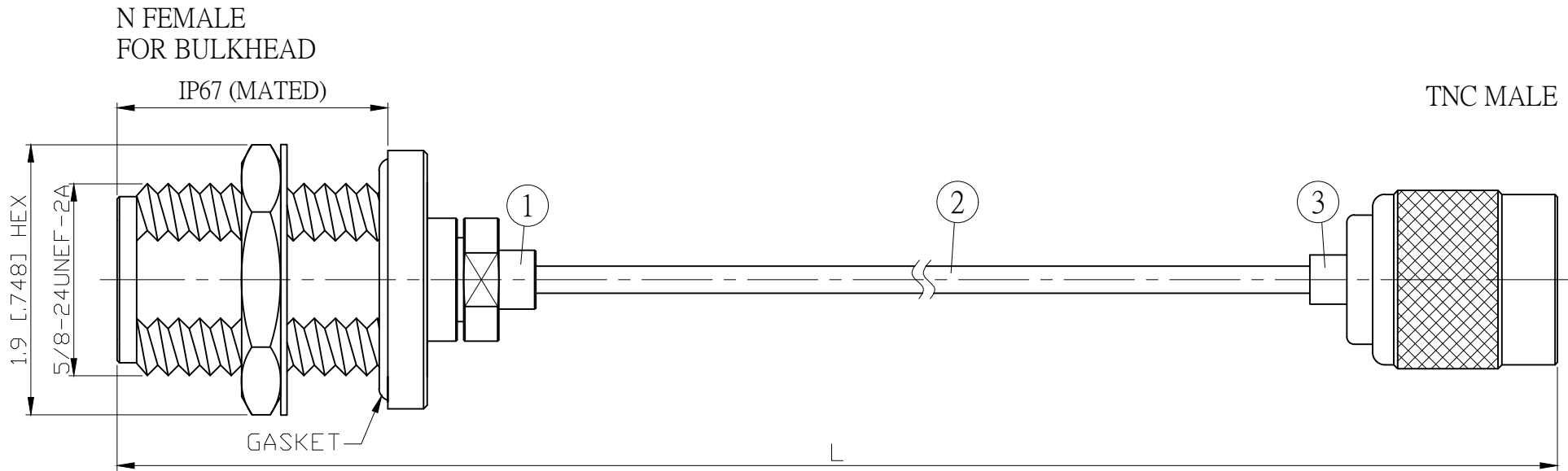
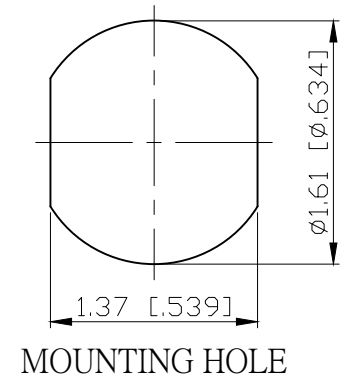


NO.	COMPONENTS	IMPEDANCE
1	N FEMALE FOR BULKHEAD	50 OHM
2	.085" HANDBENDABLE CABLE (= JYEBAO P/N .085SRF-W-P-50)	50 OHM
3	TNC MALE	50 OHM

REVISION			
REV.	DESCRIPTION	DATE	APPROVED
-	INITIAL RELEASE	2012/08/15	



JYE BAO P/N	L CM (INCH)	L1 FT (MM)
N85T30-85S-15	15 (5.906)	0.404 (123.0)
N85T30-85S-30	30 (11.811)	0.896 (273.0)
N85T30-85S-50	50 (19.685)	1.552 (473.0)
N85T30-85S-100	100 (39.370)	3.192 (973.0)
N85T30-85S-150	150 (59.055)	4.833 (1473.0)
N85T30-85S-200	200 (78.740)	6.473 (1973.0)
N85T30-85S-XXX	CUSTOM LENGTH IN CM	- - -



3	TNC3300-0085	TNC PLUG	1	EA
2	.085SRF-W-P-50	CABLE	L1 (SEE TABLE)	FT
1	N8305P-0085	N JACK	1	EA
NO.	PARTS NO.	DESCRIPTION	QTY	U/M

LENGTH TOLERANCE IS ±1.5% OR ±10MM, WHICHEVER IS GREATER.	STANDARD	REV -	UNIT CM(INCH)
	APPROVED		DATE
	CHECKED		DATE
	DRAWING Albert		DATE

<b>JYE BAO CO., LTD.</b>	
TAIPEI TAIWAN	
DESCRIPTION	CABLE ASSEMBLY N JACK FOR BULKHEAD TO TNC PLUG
JYE BAO DRAWING NO.	N85T30-85S-XXX