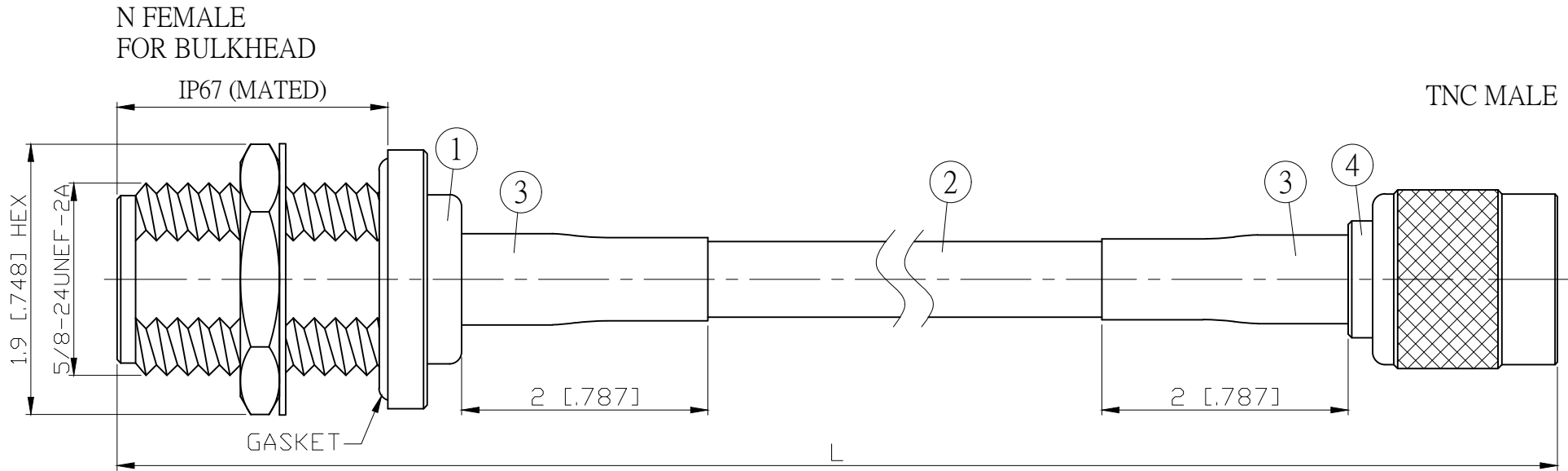
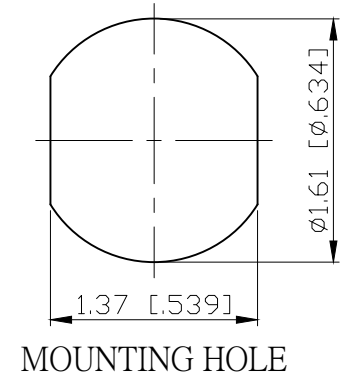


NO.	COMPONENTS	IMPEDANCE
1	N FEMALE FOR BULKHEAD	75 OHM
2	RG59	75 OHM
3	HEAT SHRINKING TUBE	
4	TNC MALE	75 OHM

REVISION			
REV.	DESCRIPTION	DATE	APPROVED
-	INITIAL RELEASE	2012/08/15	



JYE BAO P/N	L CM (INCH)	L1 FT (MM)
N85T30-59-15	15 (5.906)	0.395 (120.5)
N85T30-59-30	30 (11.811)	0.887 (270.5)
N85T30-59-50	50 (19.685)	1.544 (470.5)
N85T30-59-100	100 (39.370)	3.184 (970.5)
N85T30-59-150	150 (59.055)	4.824 (1470.5)
N85T30-59-200	200 (78.740)	6.465 (1970.5)
N85T30-59-XXX	CUSTOM LENGTH IN CM	- - -



4	TNC3100-0059	TNC PLUG	1	EA
3	G5(F)-8.0MM-BLACK	TUBE	0.04	M
2	RG59	CABLE	L1 (SEE TABLE)	FT
1	N8105-0059	N JACK	1	EA
NO.	PARTS NO.	DESCRIPTION	QTY	U/M

LENGTH TOLERANCE IS ±1.5% OR ±10MM, WHICHEVER IS GREATER.	STANDARD	REV -	UNIT CM(INCH)
	APPROVED		DATE
	CHECKED		DATE
	DRAWING Albert		DATE

**JYE BAO CO., LTD.**

TAIPEI TAIWAN

DESCRIPTION CABLE ASSEMBLY N JACK FOR BULKHEAD TO TNC PLUG

JYE BAO DRAWING NO.

N85T30-59-XXX