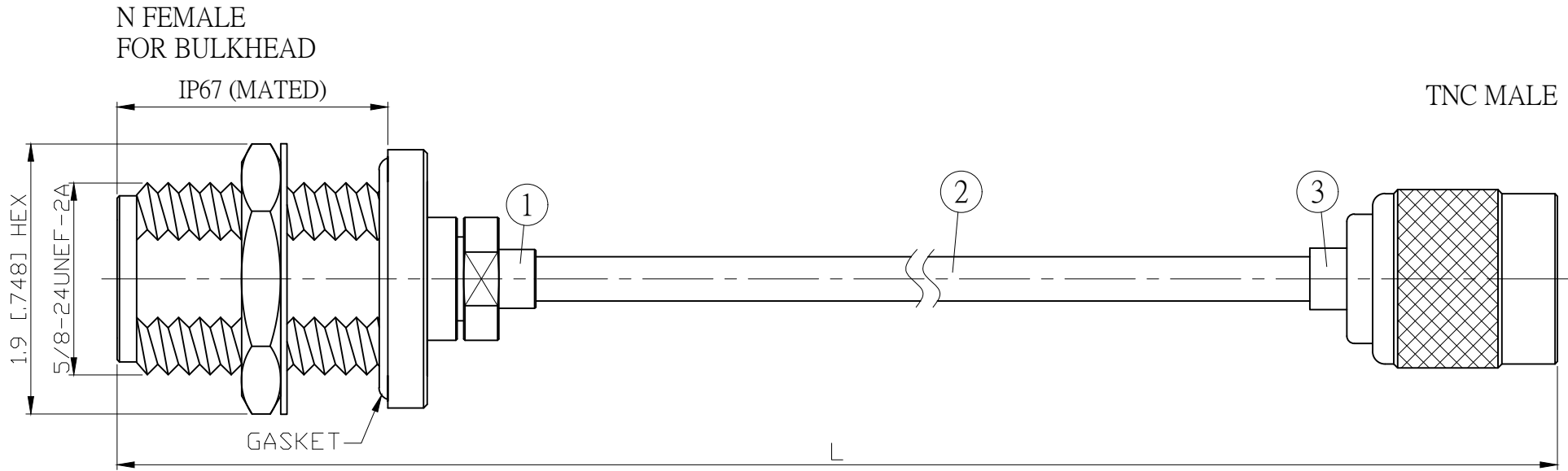
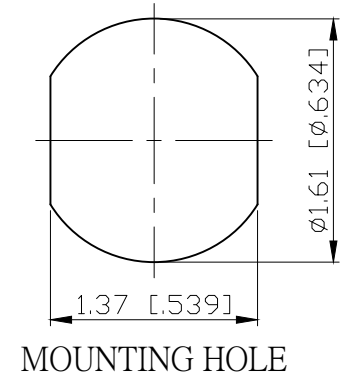


NO.	COMPONENTS	IMPEDANCE
1	N FEMALE FOR BULKHEAD	50 OHM
2	.141" HANDBENDABLE CABLE (= JYEBAO P/N .141SRF-W-P-50)	50 OHM
3	TNC MALE	50 OHM

REVISION			
REV.	DESCRIPTION	DATE	APPROVED
-	INITIAL RELEASE	2012/08/15	



JYE BAO P/N	L CM (INCH)	L1 FT (MM)
N85T30-141S-15	15 (5.906)	0.404 (123.0)
N85T30-141S-30	30 (11.811)	0.896 (273.0)
N85T30-141S-50	50 (19.685)	1.552 (473.0)
N85T30-141S-100	100 (39.370)	3.192 (973.0)
N85T30-141S-150	150 (59.055)	4.833 (1473.0)
N85T30-141S-200	200 (78.740)	6.473 (1973.0)
N85T30-141S-XXX	CUSTOM LENGTH IN CM	- - -



3	TNC3300-0141	TNC PLUG	1	EA
2	.141SRF-W-P-50	CABLE	L1 (SEE TABLE)	FT
1	N8305P-0141	N JACK	1	EA
NO.	PARTS NO.	DESCRIPTION	QTY	UM

LENGTH TOLERANCE IS ±1.5% OR ±10MM, WHICHEVER IS GREATER.	STANDARD	REV -	UNIT CM(INCH)
	APPROVED		DATE
	CHECKED		DATE
	DRAWING Albert		DATE

JYE BAO CO., LTD.

TAIPEI TAIWAN

DESCRIPTION CABLE ASSEMBLY N JACK FOR BULKHEAD TO TNC PLUG

JYE BAO DRAWING NO. N85T30-141S-XXX