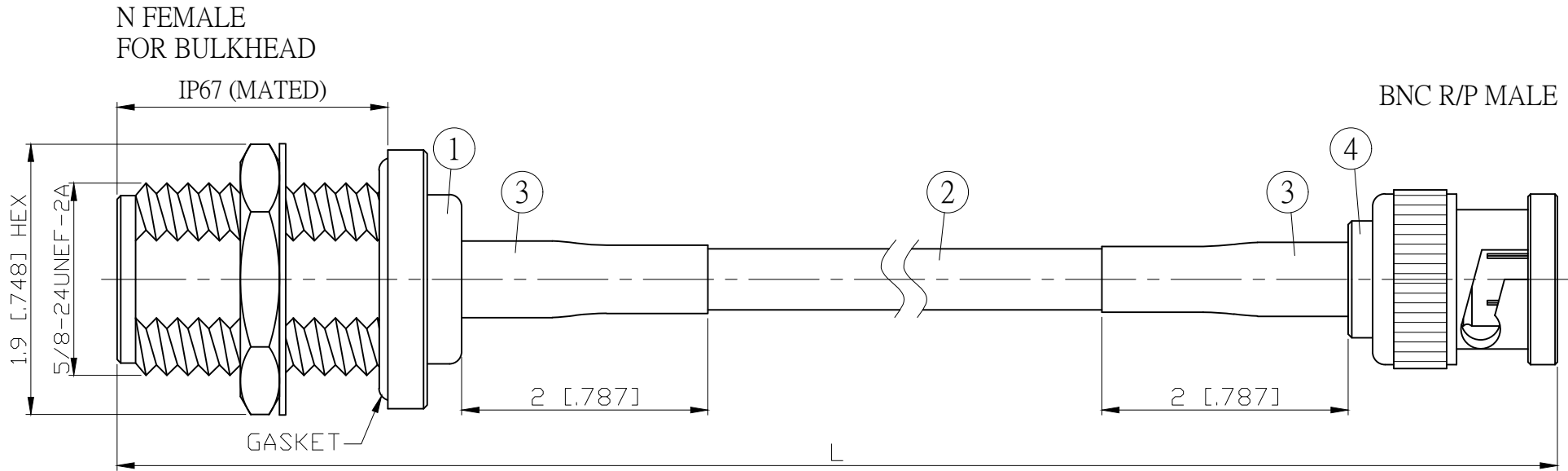
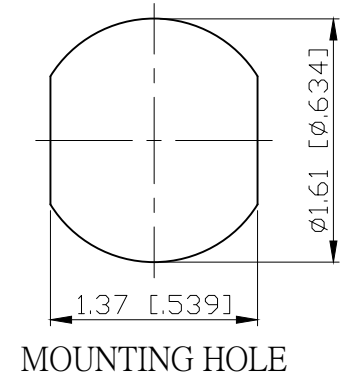


NO.	COMPONENTS	IMPEDANCE
1	N FEMALE FOR BULKHEAD	50 OHM
2	RG142	50 OHM
3	HEAT SHRINKING TUBE	
4	BNC REVERSE POLARITY MALE	50 OHM

REVISION			
REV.	DESCRIPTION	DATE	APPROVED
-	INITIAL RELEASE	2012/08/15	



JYE BAO P/N	L CM (INCH)	L1 FT (MM)
N85B60-142-15	15 (5.906)	0.394 (120.0)
N85B60-142-30	30 (11.811)	0.886 (270.0)
N85B60-142-50	50 (19.685)	1.542 (470.0)
N85B60-142-100	100 (39.370)	3.182 (970.0)
N85B60-142-150	150 (59.055)	4.823 (1470.0)
N85B60-142-200	200 (78.740)	6.463 (1970.0)
N85B60-142-XXX	CUSTOM LENGTH IN CM	- - -



4	BNC6100-0142	BNC R/P PLUG	1	EA
3	G5(F)-8.0MM-BLACK	TUBE	0.04	M
2	RG142	CABLE	L1 (SEE TABLE)	FT
1	N8105-0142	N JACK	1	EA
NO.	PARTS NO.	DESCRIPTION	QTY	UM

LENGTH TOLERANCE IS ±1.5% OR ±10MM, WHICHEVER IS GREATER.	STANDARD	REV -	UNIT CM(INCH)
	APPROVED		DATE
	CHECKED		DATE
	DRAWING Albert		DATE

**JYE BAO CO., LTD.**

TAIPEI TAIWAN

DESCRIPTION CABLE ASSEMBLY N JACK FOR BULKHEAD TO BNC R/P PLUG

JYE BAO DRAWING NO. N85B60-142-XXX