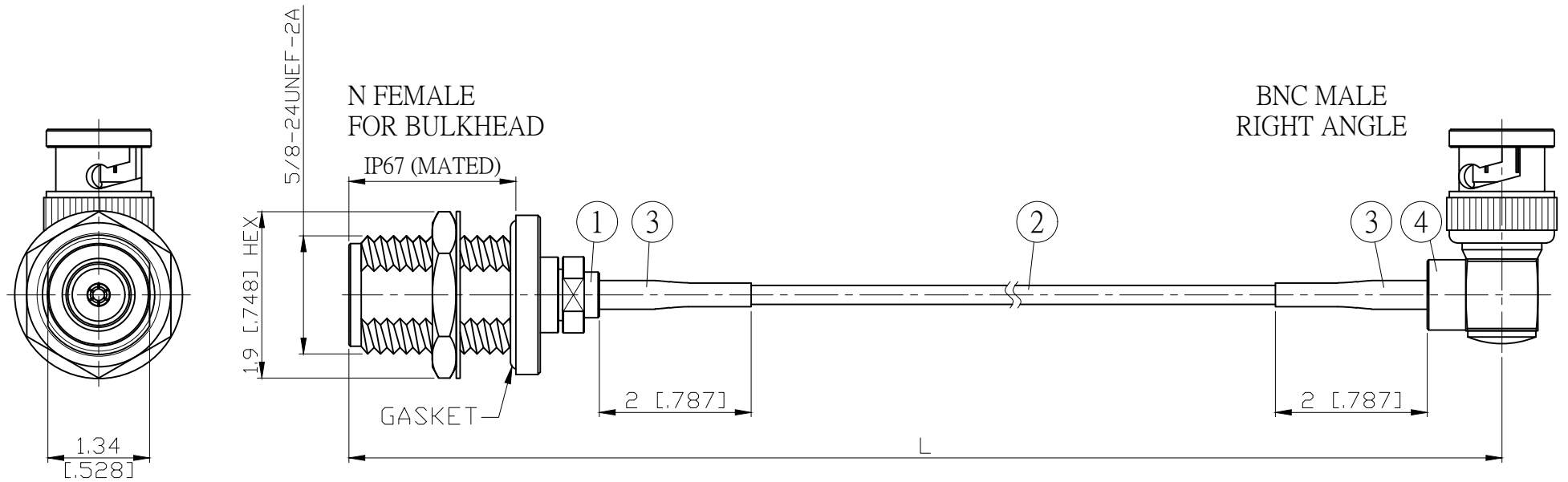
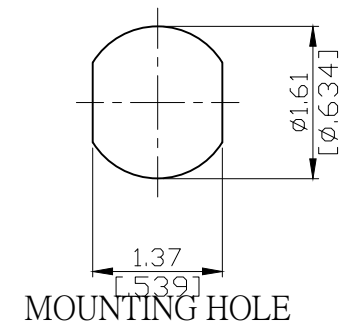


NO.	COMPONENTS	IMPEDANCE
1	N FEMALE FOR BULKHEAD	50 OHM
2	RG316	50 OHM
3	HEAT SHRINKING TUBE	
4	BNC MALE RIGHT ANGLE	50 OHM

REVISION			
REV.	DESCRIPTION	DATE	APPROVED
-	INITIAL RELEASE	2012/06/06	



JYE BAO P/N	L CM (INCH)	L1 FT (MM)
N85B39-316-15	15 (5.906)	0.438 (133.5)
N85B39-316-30	30 (11.811)	0.930 (283.5)
N85B39-316-50	50 (19.685)	1.586 (483.5)
N85B39-316-100	100 (39.370)	3.227 (983.5)
N85B39-316-150	150 (59.055)	4.867 (1483.5)
N85B39-316-200	200 (78.740)	6.508 (1983.5)
N85B39-316-XXX	CUSTOM LENGTH IN CM	- - -



					STANDARD	REV -	UNIT CM(INCH)	<b>JYE BAO CO., LTD.</b>	
					APPROVED			TAIPEI TAIWAN	
					CHECKED			DESCRIPTION CABLE ASSEMBLY N JACK FOR BULKHEAD TO BNC PLUG R/A	
					DRAWING			JYE BAO DRAWING NO. N85B39-316-XXX	
					Albert				
4	BNC3100-9316	BNC PLUG R/A	1	EA	LENGTH TOLERANCE IS ±1.5% OR ±10MM, WHICHEVER IS GREATER.				
3	G5(F)-4.0MM-BLACK	TUBE	0.04	M					
2	RG316	CABLE	L1 (SEE TABLE)	FT					
1	N8105P-0316	N JACK	1	EA					
NO.	PARTS NO.	DESCRIPTION	QTY	U/M					