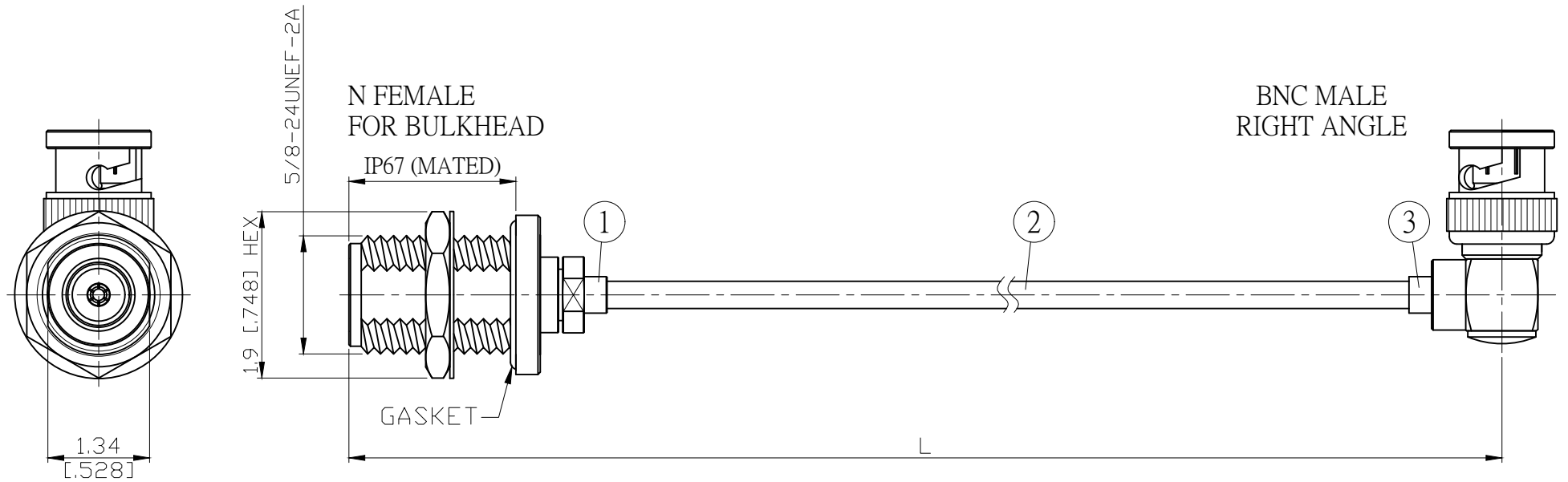
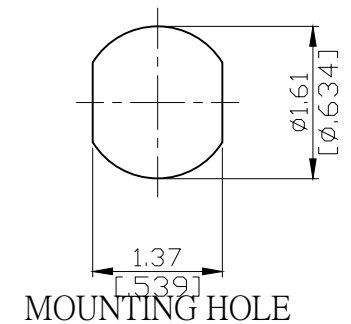


NO.	COMPONENTS	IMPEDANCE
1	N FEMALE FOR BULKHEAD .141" HANDBENDABLE CABLE	50 OHM
2	(= JYEBAO P/N .141SRF-W-P-50)	50 OHM
3	BNC MALE RIGHT ANGLE	50 OHM

REVISION			
REV.	DESCRIPTION	DATE	APPROVED
-	INITIAL RELEASE	2012/06/06	



JYE BAO P/N	L CM (INCH)	L1 FT (MM)
N85B39-141S-15	15 (5.906)	0.436 (133.0)
N85B39-141S-30	30 (11.811)	0.928 (283.0)
N85B39-141S-50	50 (19.685)	1.585 (483.0)
N85B39-141S-100	100 (39.370)	3.225 (983.0)
N85B39-141S-150	150 (59.055)	4.865 (1483.0)
N85B39-141S-200	200 (78.740)	6.506 (1983.0)
N85B39-141S-XXX	CUSTOM LENGTH IN CM	- - -



				STANDARD		REV -	UNIT CM(INCH)	<b>JYE BAO CO., LTD.</b>	
				APPROVED		DATE		TAIPEI TAIWAN	
				CHECKED		DATE		DESCRIPTION CABLE ASSEMBLY N JACK FOR BULKHEAD TO BNC PLUG R/A	
				DRAWING Albert		DATE		JYE BAO DRAWING NO. N85B39-141S-XXX	
3	BNC3300-9141	BNC PLUG R/A	1	EA	LENGTH TOLERANCE IS ±1.5% OR ±10MM, WHICHEVER IS GREATER.				
2	.141SRF-W-P-50	CABLE	L1 (SEE TABLE)	FT					
1	N8305P-0141	N JACK	1	EA					
NO.	PARTS NO.	DESCRIPTION	QTY	U/M					