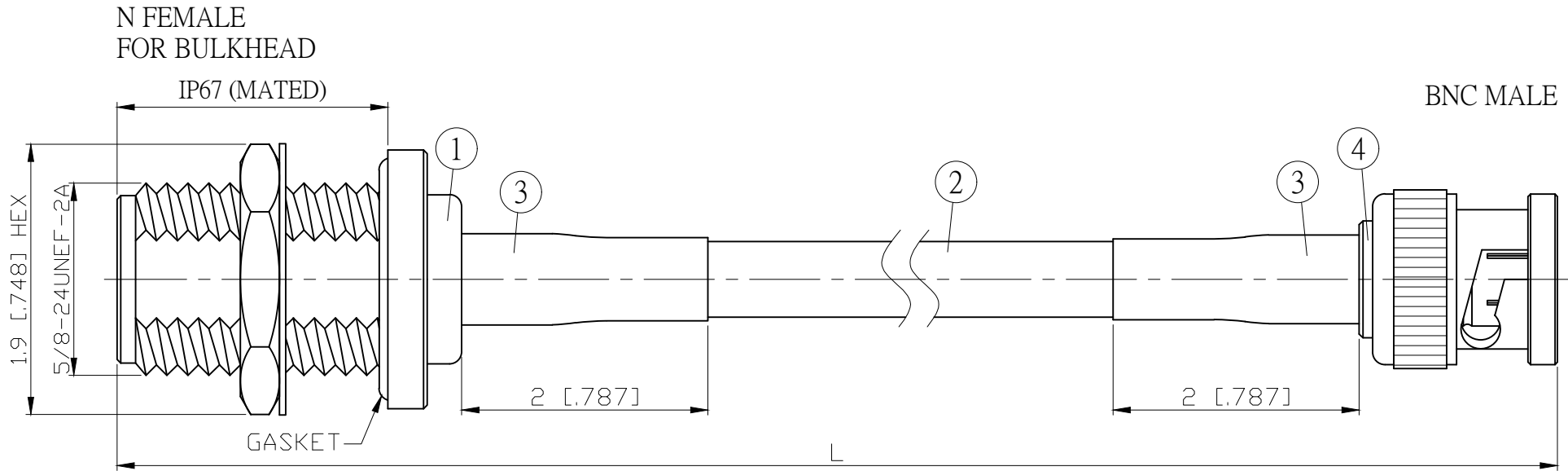
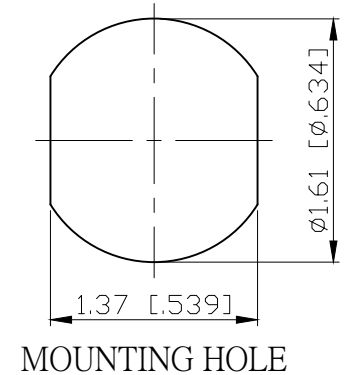


NO.	COMPONENTS	IMPEDANCE
1	N FEMALE FOR BULKHEAD	75 OHM
2	RG59	75 OHM
3	HEAT SHRINKING TUBE	
4	BNC MALE	75 OHM

REVISION			
REV.	DESCRIPTION	DATE	APPROVED
-	INITIAL RELEASE	2012/06/06	



JYE BAO P/N	L CM (INCH)	L1 FT (MM)
N85B30-59-15	15 (5.906)	0.395 (120.5)
N85B30-59-30	30 (11.811)	0.887 (270.5)
N85B30-59-50	50 (19.685)	1.544 (470.5)
N85B30-59-100	100 (39.370)	3.184 (970.5)
N85B30-59-150	150 (59.055)	4.824 (1470.5)
N85B30-59-200	200 (78.740)	6.465 (1970.5)
N85B30-59-XXX	CUSTOM LENGTH IN CM	- - -



4	BNC3100-0059	BNC PLUG	1	EA
3	G5(F)-8.0MM-BLACK	TUBE	0.04	M
2	RG59	CABLE	L1 (SEE TABLE)	FT
1	N8105-0059	N JACK	1	EA
NO.	PARTS NO.	DESCRIPTION	QTY	U/M

LENGTH TOLERANCE IS ±1.5% OR ±10MM, WHICHEVER IS GREATER.	STANDARD	REV -	UNIT CM(INCH)	<b>JYE BAO CO., LTD.</b> TAIPEI TAIWAN
	APPROVED		DATE	
	CHECKED		DATE	DESCRIPTION CABLE ASSEMBLY N JACK FOR BULKHEAD TO BNC PLUG
	DRAWING Albert		DATE	JYE BAO DRAWING NO. N85B30-59-XXX