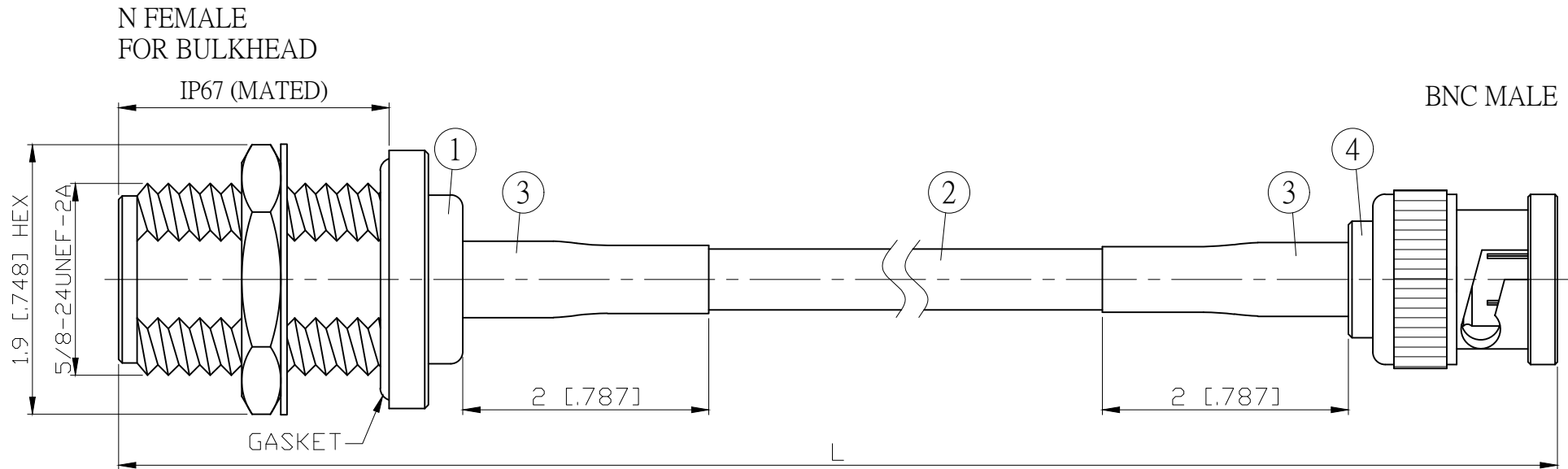
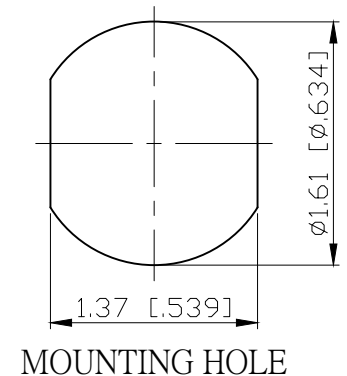


NO.	COMPONENTS	IMPEDANCE
1	N FEMALE FOR BULKHEAD	50 OHM
2	RG58	50 OHM
3	HEAT SHRINKING TUBE	
4	BNC MALE	50 OHM

REVISION			
REV.	DESCRIPTION	DATE	APPROVED
-	INITIAL RELEASE	2012/06/06	



JYE BAO P/N	L CM (INCH)	L1 FT (MM)
N85B30-58-15	15 (5.906)	0.399 (121.5)
N85B30-58-30	30 (11.811)	0.891 (271.5)
N85B30-58-50	50 (19.685)	1.547 (471.5)
N85B30-58-100	100 (39.370)	3.187 (971.5)
N85B30-58-150	150 (59.055)	4.828 (1471.5)
N85B30-58-200	200 (78.740)	6.468 (1971.5)
N85B30-58-XXX	CUSTOM LENGTH IN CM	- - -



4	BNC3100-0058	BNC PLUG	1	EA
3	G5(F)-8.0MM-BLACK	TUBE	0.04	M
2	RG58	CABLE	L1 (SEE TABLE)	FT
1	N8105-0058	N JACK	1	EA
NO.	PARTS NO.	DESCRIPTION	QTY	U/M

LENGTH TOLERANCE IS $\pm 1.5\%$ OR ± 10 MM, WHICHEVER IS GREATER.	STANDARD	REV -	UNIT CM(INCH)	JYE BAO CO., LTD. TAIPEI TAIWAN
	APPROVED		DATE	
	CHECKED		DATE	DESCRIPTION CABLE ASSEMBLY N JACK FOR BULKHEAD TO BNC PLUG
	DRAWING Albert		DATE	JYE BAO DRAWING NO. N85B30-58-XXX