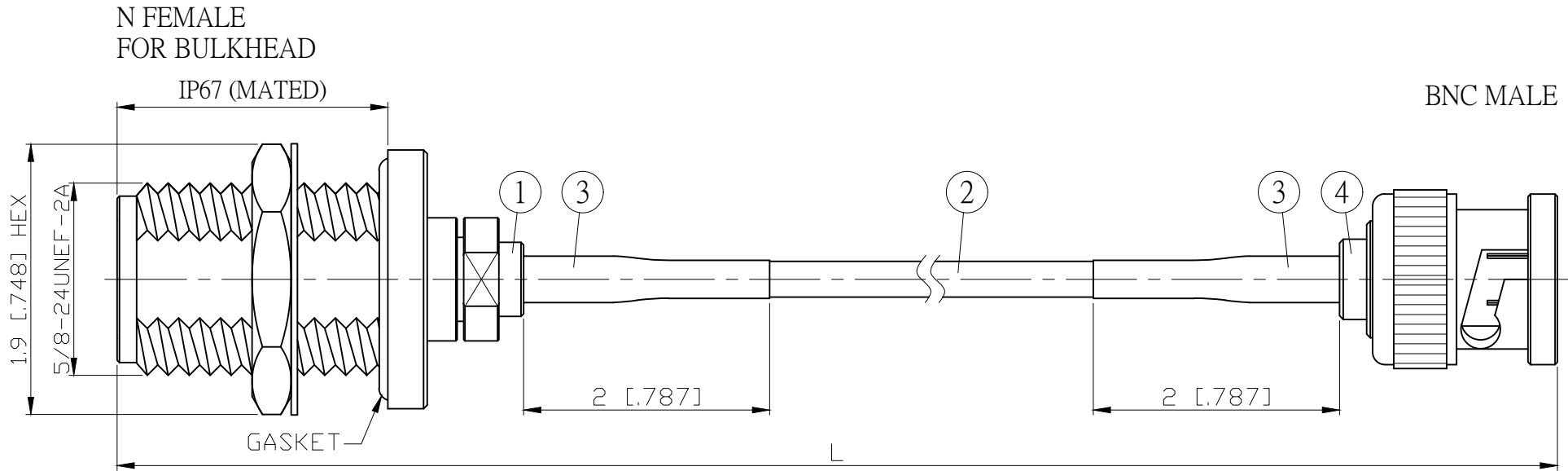
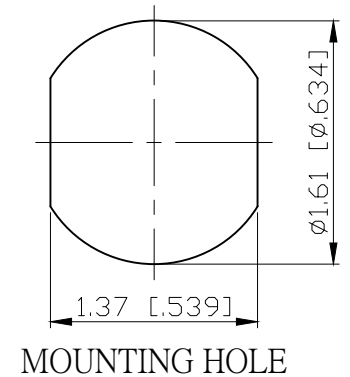


| NO. | COMPONENTS                     | IMPEDANCE |
|-----|--------------------------------|-----------|
| 1   | N FEMALE FOR BULKHEAD          | 50 OHM    |
| 2   | DOUBLE SHIELDED RG316(= RD316) | 50 OHM    |
| 3   | HEAT SHRINKING TUBE            |           |
| 4   | BNC MALE                       | 50 OHM    |

| REVISION |                 |            |          |
|----------|-----------------|------------|----------|
| REV.     | DESCRIPTION     | DATE       | APPROVED |
| -        | INITIAL RELEASE | 2012/06/06 |          |



| JYE BAO P/N     | L<br>CM (INCH)         | L1<br>FT (MM)  |
|-----------------|------------------------|----------------|
| N85B30-316D-15  | 15 (5.906)             | 0.400 (122.0)  |
| N85B30-316D-30  | 30 (11.811)            | 0.892 (272.0)  |
| N85B30-316D-50  | 50 (19.685)            | 1.549 (472.0)  |
| N85B30-316D-100 | 100 (39.370)           | 3.189 (972.0)  |
| N85B30-316D-150 | 150 (59.055)           | 4.829 (1472.0) |
| N85B30-316D-200 | 200 (78.740)           | 6.470 (1972.0) |
| N85B30-316D-XXX | CUSTOM<br>LENGTH IN CM | - - -          |



|     |                   |             |                |    |
|-----|-------------------|-------------|----------------|----|
| 4   | BNC3100D-0316     | BNC PLUG    | 1              | EA |
| 3   | G5(F)-4.0MM-BLACK | TUBE        | 0.04           | M  |
| 2   | RD316             | CABLE       | L1 (SEE TABLE) | FT |
| 1   | N8105PD-0316      | N JACK      | 1              | EA |
| NO. | PARTS NO.         | DESCRIPTION | QTY            | UM |

|   |                |       |               |  |
|---|----------------|-------|---------------|--|
| LENGTH TOLERANCE IS ±1.5% OR ±10MM, WHICHEVER IS GREATER. | STANDARD       | REV - | UNIT CM(INCH) | <b>JYE BAO CO., LTD.</b><br>TAIPEI TAIWAN      |
|   | APPROVED       |       | DATE          |  |
|   | CHECKED        |       | DATE          |  |
|   | DRAWING Albert |       | DATE          |  |
| DESCRIPTION   |                |       |               | CABLE ASSEMBLY N JACK FOR BULKHEAD TO BNC PLUG |
| JYE BAO DRAWING NO.                                       |                |       |               | N85B30-316D-XXX                                |