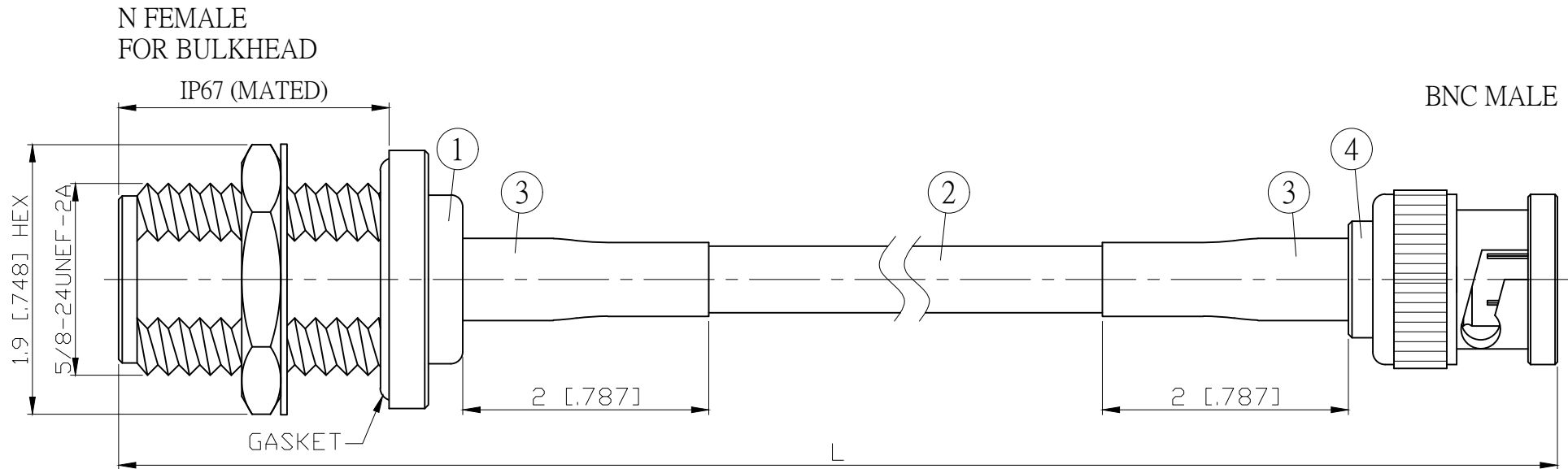
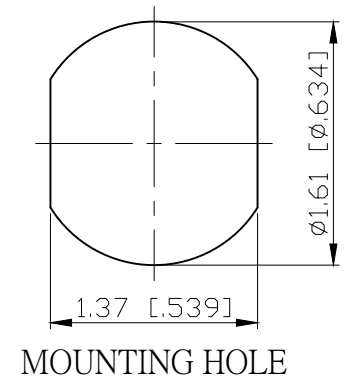


NO.	COMPONENTS	IMPEDANCE
1	N FEMALE FOR BULKHEAD	50 OHM
2	RG223	50 OHM
3	HEAT SHRINKING TUBE	
4	BNC MALE	50 OHM

REVISION			
REV.	DESCRIPTION	DATE	APPROVED
-	INITIAL RELEASE	2012/06/06	



JYE BAO P/N	L CM (INCH)	L1 FT (MM)
N85B30-223-15	15 (5.906)	0.399 (121.5)
N85B30-223-30	30 (11.811)	0.891 (271.5)
N85B30-223-50	50 (19.685)	1.547 (471.5)
N85B30-223-100	100 (39.370)	3.187 (971.5)
N85B30-223-150	150 (59.055)	4.828 (1471.5)
N85B30-223-200	200 (78.740)	6.468 (1971.5)
N85B30-223-XXX	CUSTOM LENGTH IN CM	- - -



				STANDARD	REV -	UNIT CM(INCH)	JYE BAO CO., LTD.	
				APPROVED			TAIPEI TAIWAN	
				CHECKED		DATE	DESCRIPTION CABLE ASSEMBLY N JACK FOR BULKHEAD TO BNC PLUG	
				DRAWING	Albert	DATE	JYE BAO DRAWING NO. N85B30-223-XXX	
4	BNC3100-0223	BNC PLUG	1	EA	LENGTH TOLERANCE IS ±1.5% OR ±10MM, WHICHEVER IS GREATER.			
3	G5(F)-8.0MM-BLACK	TUBE	0.04	M				
2	RG223	CABLE	L1 (SEE TABLE)	FT				
1	N8105-0223	N JACK	1	EA				
NO.	PARTS NO.	DESCRIPTION	QTY	UM				