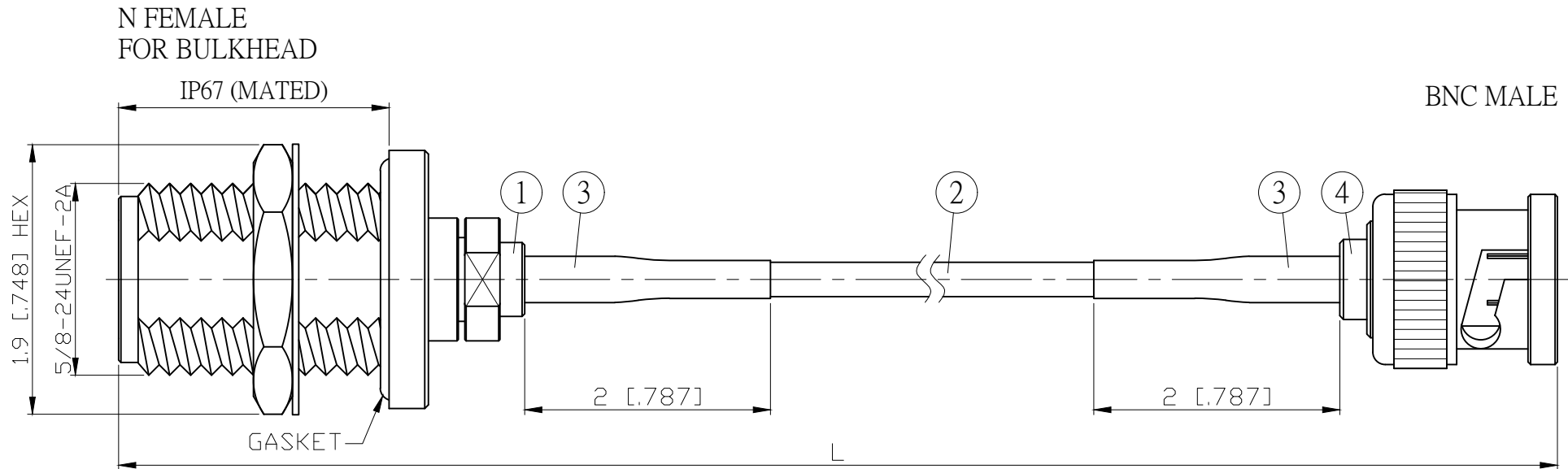
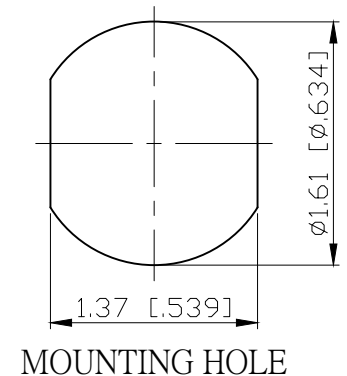


| NO. | COMPONENTS | IMPEDANCE |
|-----|-----------------------|-----------|
| 1 | N FEMALE FOR BULKHEAD | 50 OHM |
| 2 | RG174 | 50 OHM |
| 3 | HEAT SHRINKING TUBE | |
| 4 | BNC MALE | 50 OHM |

| REVISION | | | |
|----------|-----------------|------------|----------|
| REV. | DESCRIPTION | DATE | APPROVED |
| - | INITIAL RELEASE | 2012/06/06 | |



| JYE BAO P/N | L CM (INCH) | L1 FT (MM) |
|----------------|------------------------|----------------|
| N85B30-174-15 | 15 (5.906) | 0.400 (122.0) |
| N85B30-174-30 | 30 (11.811) | 0.892 (272.0) |
| N85B30-174-50 | 50 (19.685) | 1.549 (472.0) |
| N85B30-174-100 | 100 (39.370) | 3.189 (972.0) |
| N85B30-174-150 | 150 (59.055) | 4.829 (1472.0) |
| N85B30-174-200 | 200 (78.740) | 6.470 (1972.0) |
| N85B30-174-XXX | CUSTOM LENGTH IN CM | - - - |



| | | | | |
|-----|-------------------|-------------|----------------|----|
| 4 | BNC3100-0316 | BNC PLUG | 1 | EA |
| 3 | G5(F)-4.0MM-BLACK | TUBE | 0.04 | M |
| 2 | RG174 | CABLE | L1 (SEE TABLE) | FT |
| 1 | N8105P-0316 | N JACK | 1 | EA |
| NO. | PARTS NO. | DESCRIPTION | QTY | UM |

| | | | | |
|---|----------------|-------|---------------|--|
| LENGTH TOLERANCE IS ±1.5% OR ±10MM, WHICHEVER IS GREATER. | STANDARD | REV - | UNIT CM(INCH) | JYE BAO CO., LTD. TAIPEI TAIWAN |
| | APPROVED | | DATE | |
| | CHECKED | | DATE | |
| | DRAWING Albert | | DATE | |
| DESCRIPTION | | | | CABLE ASSEMBLY N JACK FOR BULKHEAD TO BNC PLUG |
| JYE BAO DRAWING NO. | | | | N85B30-174-XXX |