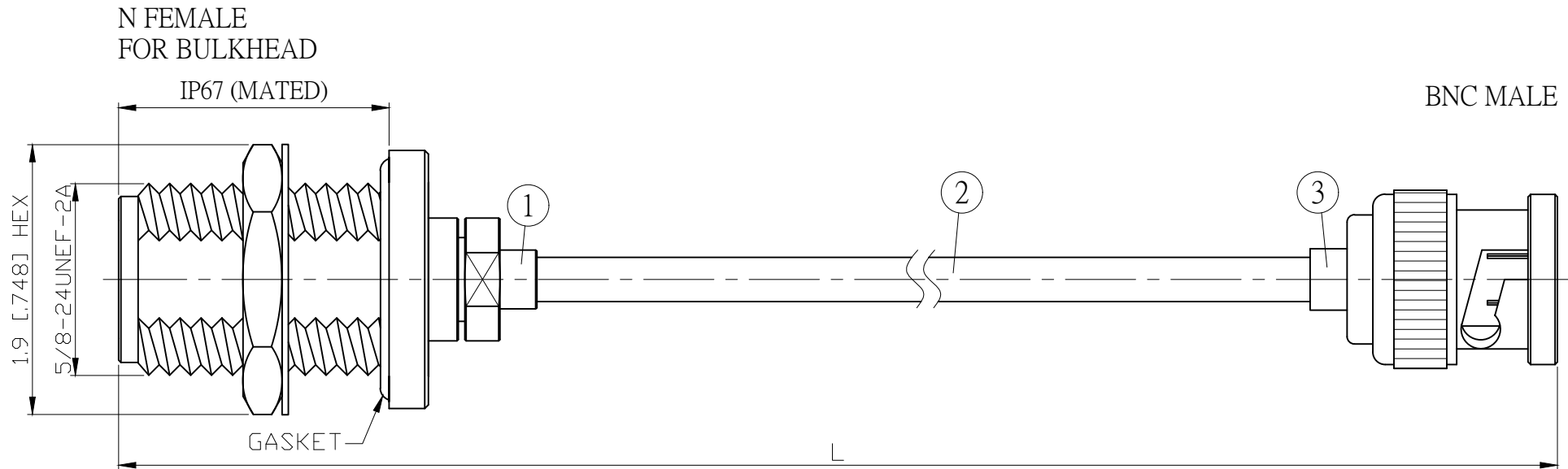
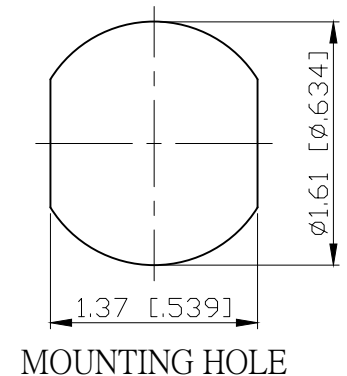


NO.	COMPONENTS	IMPEDANCE
1	N FEMALE FOR BULKHEAD	50 OHM
2	.141" HANDBENDABLE CABLE (= JYEBAO P/N .141SRF-W-P-50)	50 OHM
3	BNC MALE	50 OHM

REVISION			
REV.	DESCRIPTION	DATE	APPROVED
-	INITIAL RELEASE	2012/06/06	



JYE BAO P/N	L CM (INCH)	L1 FT (MM)
N85B30-141S-15	15 (5.906)	0.404 (123.0)
N85B30-141S-30	30 (11.811)	0.896 (273.0)
N85B30-141S-50	50 (19.685)	1.552 (473.0)
N85B30-141S-100	100 (39.370)	3.192 (973.0)
N85B30-141S-150	150 (59.055)	4.833 (1473.0)
N85B30-141S-200	200 (78.740)	6.473 (1973.0)
N85B30-141S-XXX	CUSTOM LENGTH IN CM	- - -



3	BNC3300-0141	BNC PLUG	1	EA	LENGTH TOLERANCE IS ±1.5% OR ±10MM, WHICHEVER IS GREATER.	STANDARD	REV -	UNIT CM(INCH)	JYE BAO CO., LTD. TAIPEI TAIWAN
						APPROVED	DATE	DESCRIPTION CABLE ASSEMBLY N JACK FOR BULKHEAD TO BNC PLUG	
						CHECKED	DATE	JYE BAO DRAWING NO.	
						DRAWING Albert	DATE	N85B30-141S-XXX	
2	.141SRF-W-P-50	CABLE	L1 (SEE TABLE)	FT					
1	N8305P-0141	N JACK	1	EA					
NO.	PARTS NO.	DESCRIPTION	QTY	U/M					