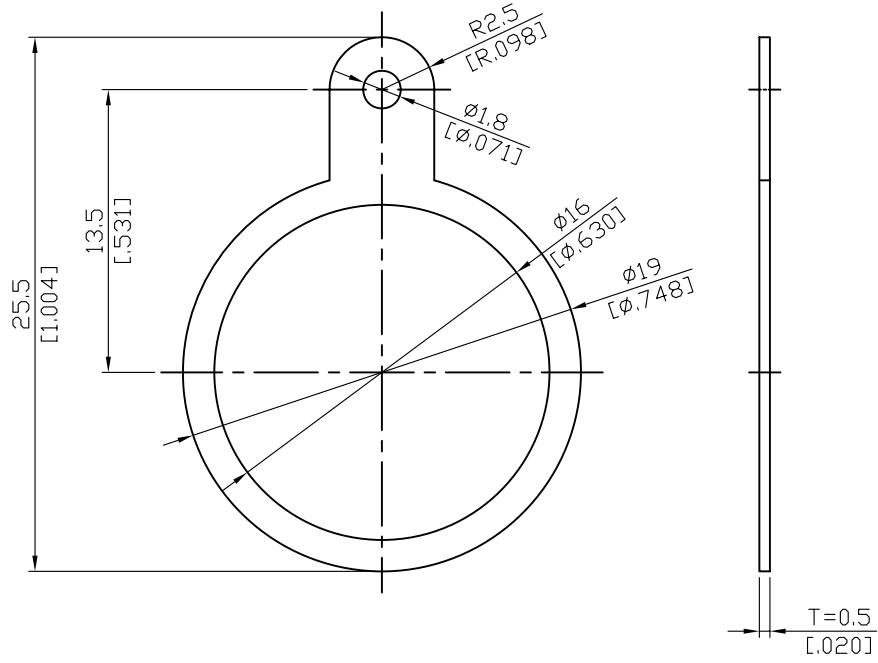


N8550-6/W

Solder Tag



Parts	Material	Plating (Micro-inch)
Solder Tag	Brass	Tin-Zinc-Copper-Alloy 100 Over Copper 50

This part number complies with RoHS.

Notice: JYEBAO reserves the right to make modifications demand appropriate.