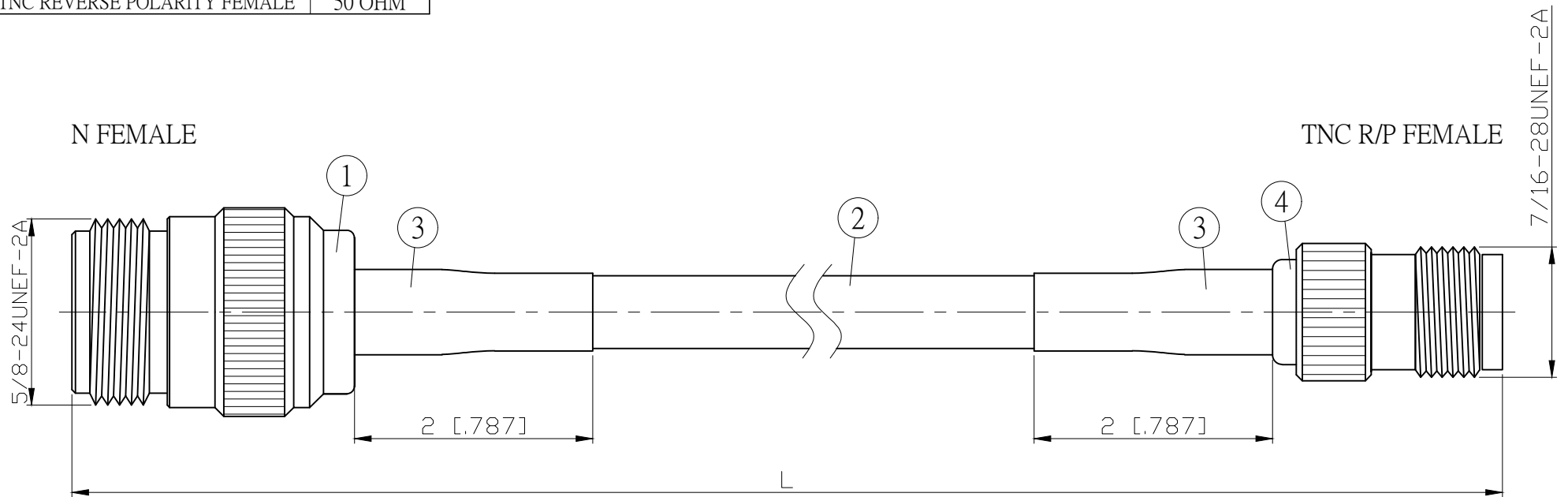


NO.	COMPONENTS	IMPEDANCE
1	N FEMALE	50 OHM
2	JBY240	50 OHM
3	HEAT SHRINKING TUBE	
4	TNC REVERSE POLARITY FEMALE	50 OHM

REVISION			
REV.	DESCRIPTION	DATE	APPROVED
-	INITIAL RELEASE	2017/02/16	



JYE BAO P/N	L CM (INCH)
N80T90-L240-15	15 (5.906)
N80T90-L240-30	30 (11.811)
N80T90-L240-50	50 (19.685)
N80T90-L240-100	100 (39.370)
N80T90-L240-150	150 (59.055)
N80T90-L240-200	200 (78.740)
N80T90-L240-XXX	CUSTOM LENGTH IN CM

LENGTH TOLERANCE IS $\pm 1.5\%$ OR $\pm 10\text{MM}$ , WHICHEVER IS GREATER.	STANDARD	REV -	UNIT CM(INCH)	<b>JYE BAO CO., LTD.</b> TAIPEI TAIWAN
	APPROVED		DATE	
	CHECKED		DATE	DESCRIPTION CABLE ASSEMBLY N JACK TO TNC R/P JACK
	DRAWING Albert		DATE	JYE BAO DRAWING NO. N80T90-L240-XXX