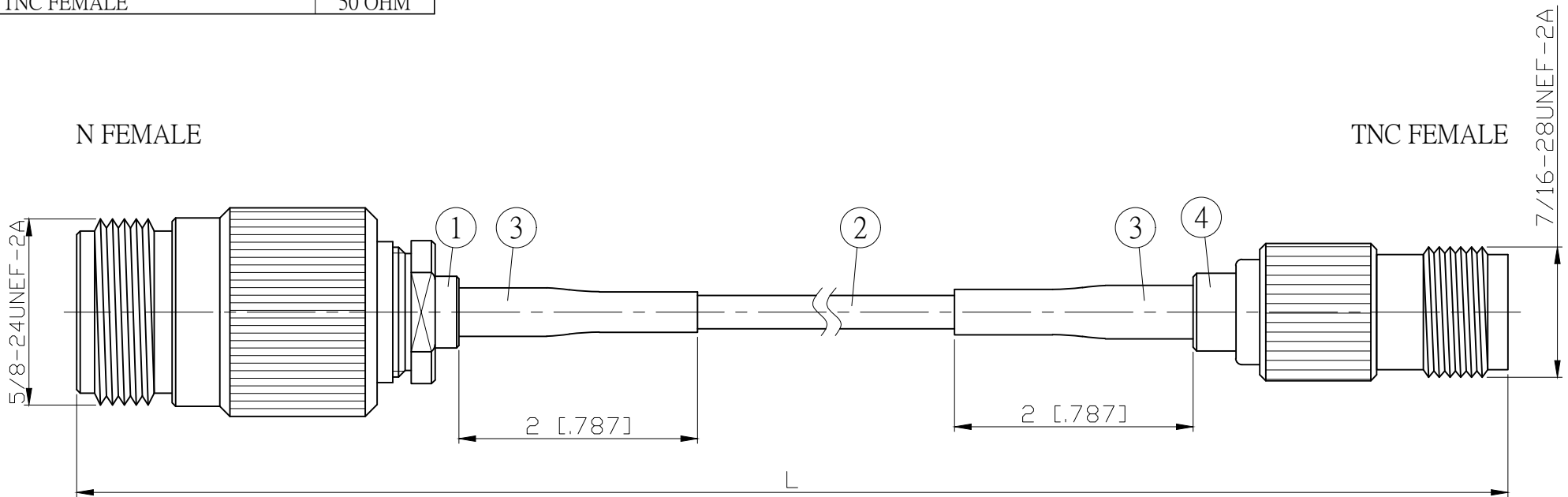


NO.	COMPONENTS	IMPEDANCE
1	N FEMALE	50 OHM
2	JBY100	50 OHM
3	HEAT SHRINKING TUBE	
4	TNC FEMALE	50 OHM

REVISION			
REV.	DESCRIPTION	DATE	APPROVED
-	INITIAL RELEASE	2012/08/15	



JYE BAO P/N	L CM (INCH)
N80T80-L100-15	15 (5.906)
N80T80-L100-30	30 (11.811)
N80T80-L100-50	50 (19.685)
N80T80-L100-100	100 (39.370)
N80T80-L100-150	150 (59.055)
N80T80-L100-200	200 (78.740)
N80T80-L100-XXX	CUSTOM LENGTH IN CM

LENGTH TOLERANCE IS $\pm 1.5\%$ OR $\pm 10\text{MM}$, WHICHEVER IS GREATER.	STANDARD	REV -	UNIT CM(INCH)	JYE BAO CO., LTD. TAIPEI TAIWAN
	APPROVED		DATE	
	CHECKED		DATE	DESCRIPTION CABLE ASSEMBLY N JACK TO TNC JACK
	DRAWING Albert		DATE	JYE BAO DRAWING NO. N80T80-L100-XXX