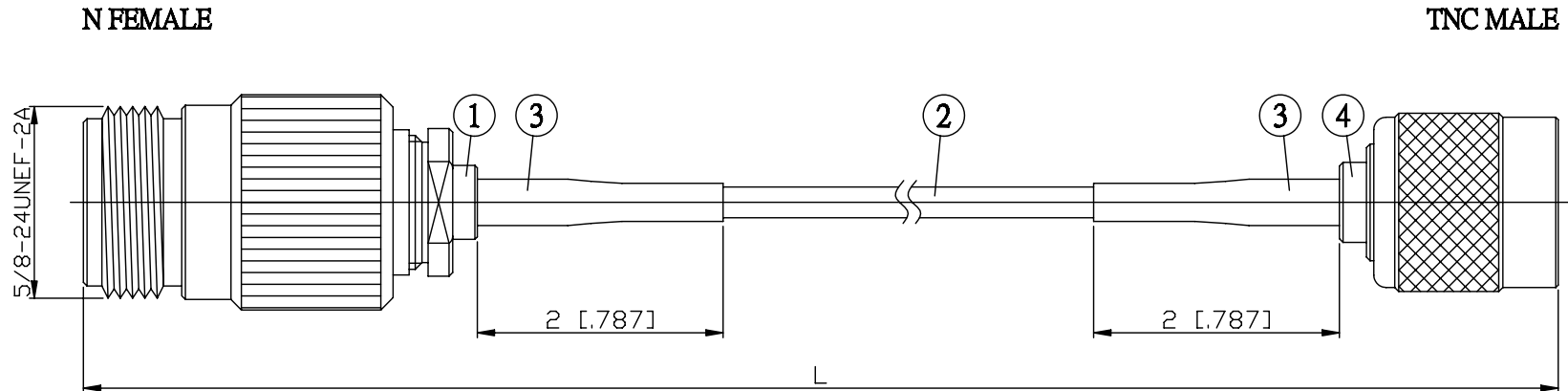


| NO. | COMPONENTS          | IMPEDANCE |
|-----|---------------------|-----------|
| 1   | N FEMALE            | 50 OHM    |
| 2   | RG316               | 50 OHM    |
| 3   | HEAT SHRINKING TUBE |           |
| 4   | TNC MALE            | 50 OHM    |



| JYE BAO P/N    | L<br>CM (INCH)         |
|----------------|------------------------|
| N80T30-316-15  | 15 (5.906)             |
| N80T30-316-30  | 30 (11.811)            |
| N80T30-316-50  | 50 (19.685)            |
| N80T30-316-100 | 100 (39.370)           |
| N80T30-316-150 | 150 (59.055)           |
| N80T30-316-200 | 200 (78.740)           |
| N80T30-316-XXX | CUSTOM<br>LENGTH IN CM |

|                                                                              |                                                         |
|------------------------------------------------------------------------------|---------------------------------------------------------|
| <b>LENGTH TOLERANCE<br/>IS ±1.5% OR ±10MM,<br/>WHICHEVER IS<br/>GREATER.</b> | <b>JYE BAO CO., LTD.</b><br>TAIPEI TAIWAN               |
|                                                                              | DESCRIPTION<br><b>CABLE ASSEMBLY N JACK TO TNC PLUG</b> |
|                                                                              | JYE BAO DRAWING NO.<br><b>N80T30-316-XXX</b>            |