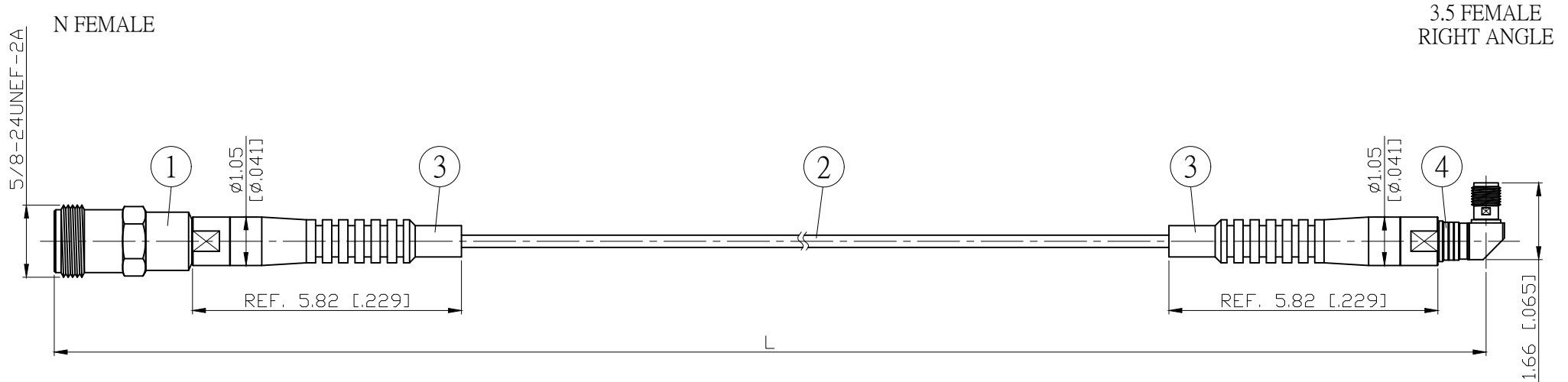


NO.	COMPONENTS	IMPEDANCE
1	N FEMALE	50 OHM
2	5002A	50 OHM
3	SLEEVE	
4	3.5 FEMALE RIGHT ANGLE	50 OHM

REVISION			
REV.	DESCRIPTON	DATE	APPROVED
-	INITIAL RELEASE	2021/04/08	



L CM (INCH)	L1 M (MM)
50 (19.685)	0.467 (467.0)
100 (39.370)	0.967 (967.0)
150 (59.055)	1.467 (1467.0)
200 (78.740)	1.967 (1967.0)
Custom length in CM	- - -

Spec	Phase stability vs bending <sup>(1)</sup>	Amplitude stability vs bending <sup>(2)</sup>	Max VSWR	Max IL	Flexure life cycle <sup>(3)</sup>
3GHz	$\pm 0.3^\circ$ typ / $\pm 0.5^\circ$ max	$\pm 0.005$ dB typ / $\pm 0.01$ dB max	1.12 : 1	$\leq (0.0128\text{dB/cm} \cdot \text{Lcm}) + 0.15\text{dB}$	$\geq 100000$
6GHz	$\pm 0.5^\circ$ typ / $\pm 0.75^\circ$ max	$\pm 0.0075$ dB typ / $\pm 0.015$ dB max	1.15 : 1	$\leq (0.0189\text{dB/cm} \cdot \text{Lcm}) + 0.20\text{dB}$	
12.4GHz	$\pm 0.75^\circ$ typ / $\pm 1.0^\circ$ max	$\pm 0.01$ dB typ / $\pm 0.02$ dB max	1.20 : 1	$\leq (0.0293\text{dB/cm} \cdot \text{Lcm}) + 0.25\text{dB}$	
18GHz	$\pm 1.0^\circ$ typ / $\pm 1.5^\circ$ max	$\pm 0.015$ dB typ / $\pm 0.03$ dB max	1.25 : 1	$\leq (0.0361\text{dB/cm} \cdot \text{Lcm}) + 0.30\text{dB}$	

Notes:

- Operating Temp.:  $-40^\circ\text{C}$  /  $+105^\circ\text{C}$
- Static bend radius 5.1mm
- Dynamic bend radius 20mm
- RoHS Compliant

- (1) Per IEC 60966-1, section 8.6, method 1
- (2) Per IEC 60966-1, section 8.4
- (3) Per IEC 60966-1, section 9.3

				STANDARD		REV	-	UNIT	CM(INCH)	<b>JYE BAO CO., LTD.</b>	
				APPROVED				DATE		TAIPEI TAIWAN	
				CHECKED				DATE		DESCRIPTION	
				DRAWING				DATE		CABLE ASSEMBLY N JACK TO 3.5 JACK R/A	
				Albert				DATE		JYE BAO DRAWING NO.	
				LENGTH TOLERANCE IS $\pm 1.5\%$ OR $\pm 10\text{MM}$ , WHICHEVER IS GREATER.				DATE		N80PC89-52A-18GXXX	
4	U-3.5-F-RA	3.5 JACK R/A	1	EA							
3	U-5002A	SLEEVE	2	EA							
2	5002A	CABLE	SEE TABLE L1	M							
1	U-N-F	N JACK	1	EA							
NO.	PARTS NO.	DESCRIPTION	Q'TY	U/M							