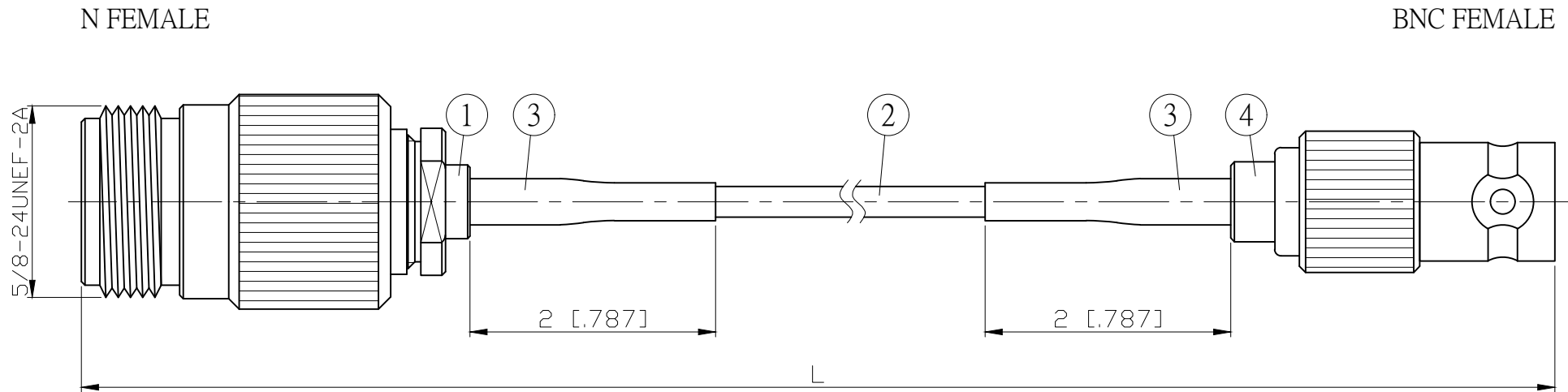


NO.	COMPONENTS	IMPEDANCE
1	N FEMALE	50 OHM
2	JBY100	50 OHM
3	HEAT SHRINKING TUBE	
4	BNC FEMALE	50 OHM

REVISION			
REV.	DESCRIPTION	DATE	APPROVED
-	INITIAL RELEASE	2020/09/09	



JYE BAO P/N	L CM (INCH)
N80B80-L100-15	15 (5.906)
N80B80-L100-30	30 (11.811)
N80B80-L100-50	50 (19.685)
N80B80-L100-100	100 (39.370)
N80B80-L100-150	150 (59.055)
N80B80-L100-200	200 (78.740)
N80B80-L100-XXX	CUSTOM LENGTH IN CM

LENGTH TOLERANCE  
IS  $\pm 1.5\%$  OR  $\pm 10\text{MM}$ ,  
WHICHEVER IS  
GREATER.

**JYE BAO CO., LTD.**

TAIPEI TAIWAN

DESCRIPTION

CABLE ASSEMBLY N JACK TO BNC JACK

JYE BAO DRAWING NO.

N80B80-L100-XXX