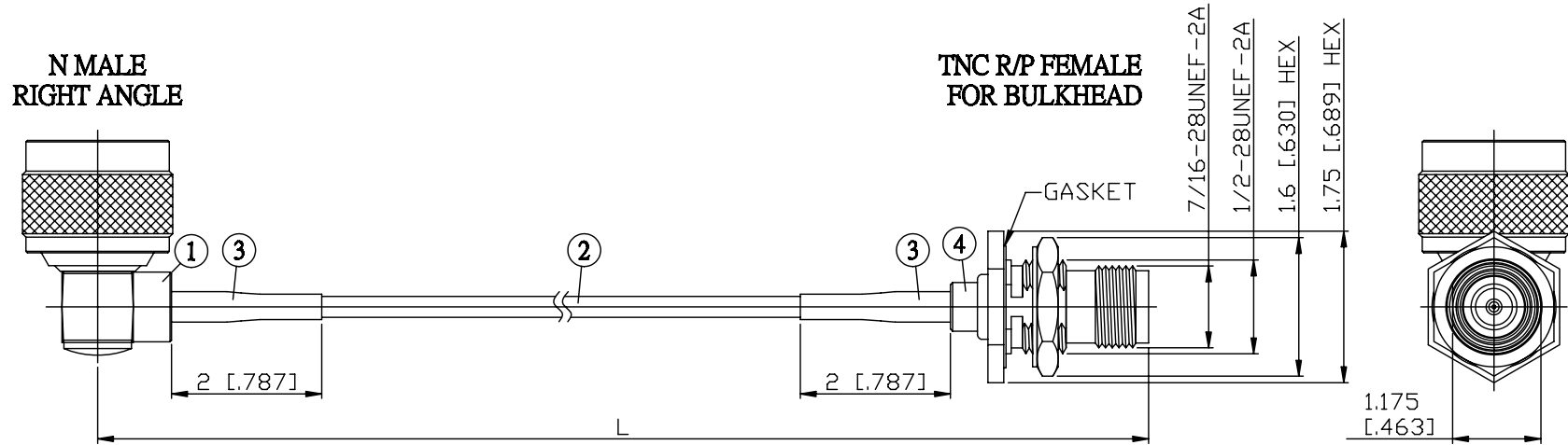
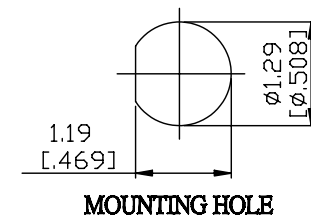


NO.	COMPONENTS	IMPEDANCE
1	N MALE RIGHT ANGLE	50 OHM
2	JBY100	50 OHM
3	HEAT SHRINKING TUBE	
4	TNC REVERSE POLARITY FEMALE FOR BULKHEAD	50 OHM



JYE BAO P/N	L CM (INCH)
N39T95-L100-15	15 (5.906)
N39T95-L100-30	30 (11.811)
N39T95-L100-50	50 (19.685)
N39T95-L100-100	100 (39.370)
N39T95-L100-150	150 (59.055)
N39T95-L100-200	200 (78.740)
N39T95-L100-XXX	CUSTOM LENGTH IN CM



<b>LENGTH TOLERANCE IS ±1.5% OR ±10MM, WHICHEVER IS GREATER.</b>	<b>JYE BAO CO., LTD.</b> TAIPEI TAIWAN	
	DESCRIPTION	CABLE ASSEMBLY N PLUG R/A TO TNC R/P JACK FOR BULKHEAD
	JYE BAO DRAWING NO.	N39T95-L100-XXX