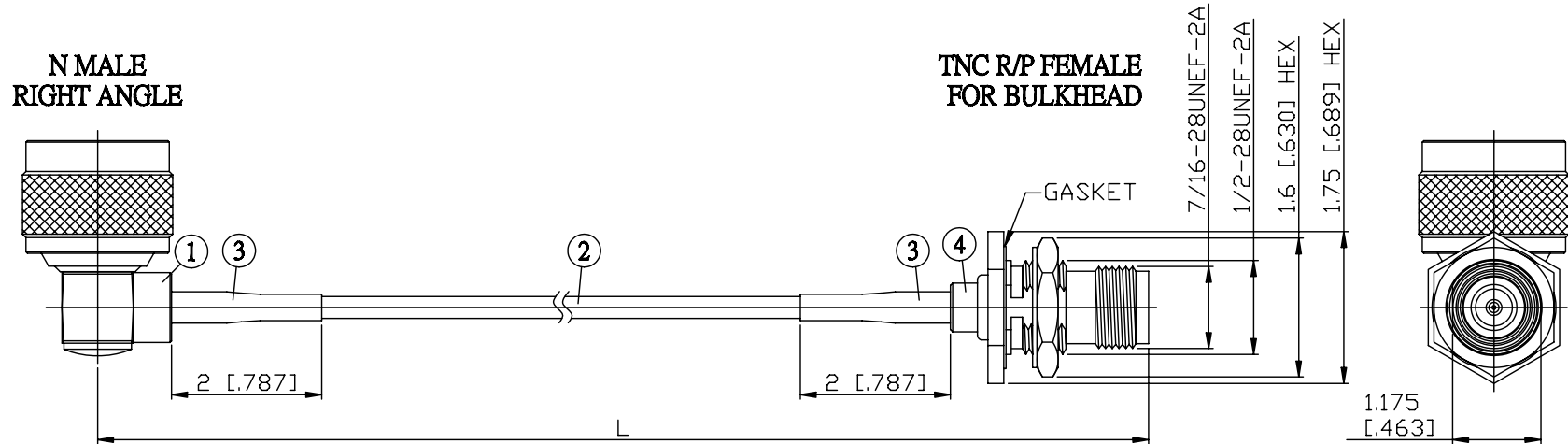
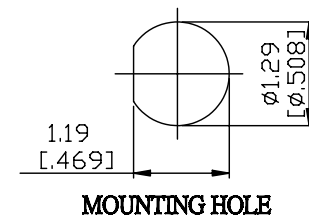


NO.	COMPONENTS	IMPEDANCE
1	N MALE RIGHT ANGLE	50 OHM
2	DOUBLE SHIELDED RG316(= RD316)	50 OHM
3	HEAT SHRINKING TUBE	
4	TNC REVERSE POLARITY FEMALE FOR BULKHEAD	50 OHM



JYE BAO P/N	L CM (INCH)
N39T95-316D-15	15 (5.906)
N39T95-316D-30	30 (11.811)
N39T95-316D-50	50 (19.685)
N39T95-316D-100	100 (39.370)
N39T95-316D-150	150 (59.055)
N39T95-316D-200	200 (78.740)
N39T95-316D-XXX	CUSTOM LENGTH IN CM



MOUNTING HOLE

<p>LENGTH TOLERANCE IS ±1.5% OR ±10MM, WHICHEVER IS GREATER.</p>	<p><b>JYE BAO CO., LTD.</b></p> <p>TAIPEI TAIWAN</p>
	<p>DESCRIPTION CABLE ASSEMBLY N PLUG R/A TO TNC R/P JACK FOR BULKHEAD</p>
	<p>JYE BAO DRAWING NO. N39T95-316D-XXX</p>