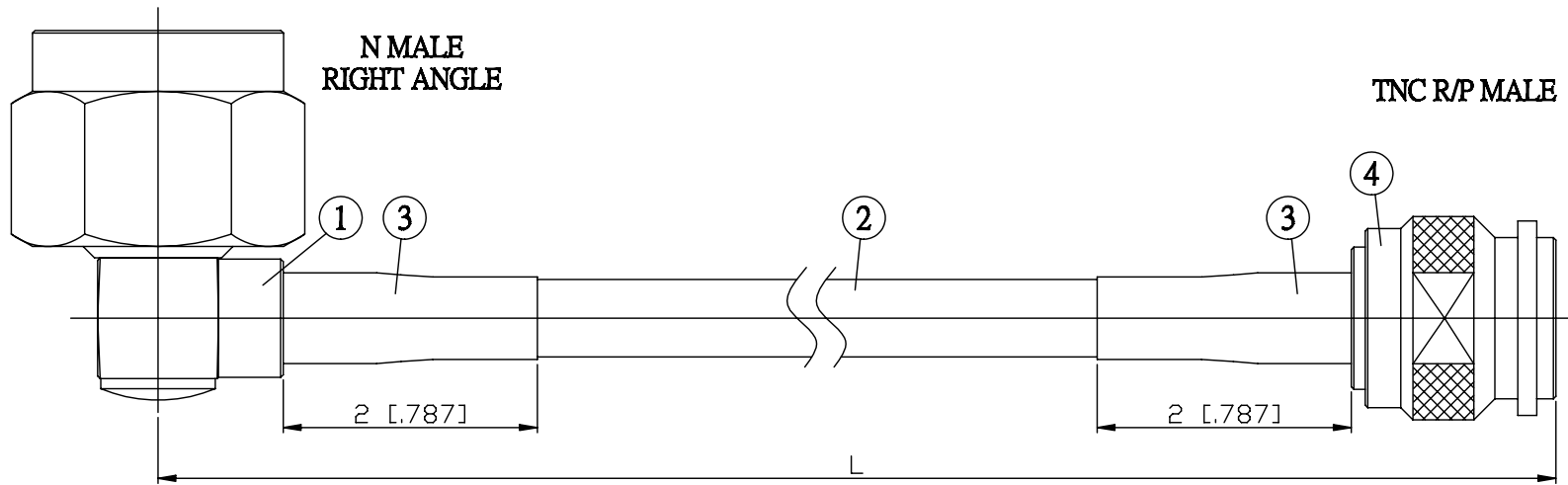


NO.	COMPONENTS	IMPEDANCE
1	N MALE RIGHT ANGLE	50 OHM
2	JBY240	50 OHM
3	HEAT SHRINKING TUBE	
4	TNC REVERSE POLARITY MALE	50 OHM



JYE BAO P/N	L CM (INCH)
N39T60-L240-15	15 (5.906)
N39T60-L240-30	30 (11.811)
N39T60-L240-50	50 (19.685)
N39T60-L240-100	100 (39.370)
N39T60-L240-150	150 (59.055)
N39T60-L240-200	200 (78.740)
N39T60-L240-XXX	CUSTOM LENGTH IN CM

<b>LENGTH TOLERANCE IS ±1.5% OR ±10MM, WHICHEVER IS GREATER.</b>	<b>JYE BAO CO., LTD.</b> TAIPEI TAIWAN
	DESCRIPTION <b>CABLE ASSEMBLY N PLUG R/A TO TNC R/P PLUG</b>
	JYE BAO DRAWING NO. <b>N39T60-L240-XXX</b>