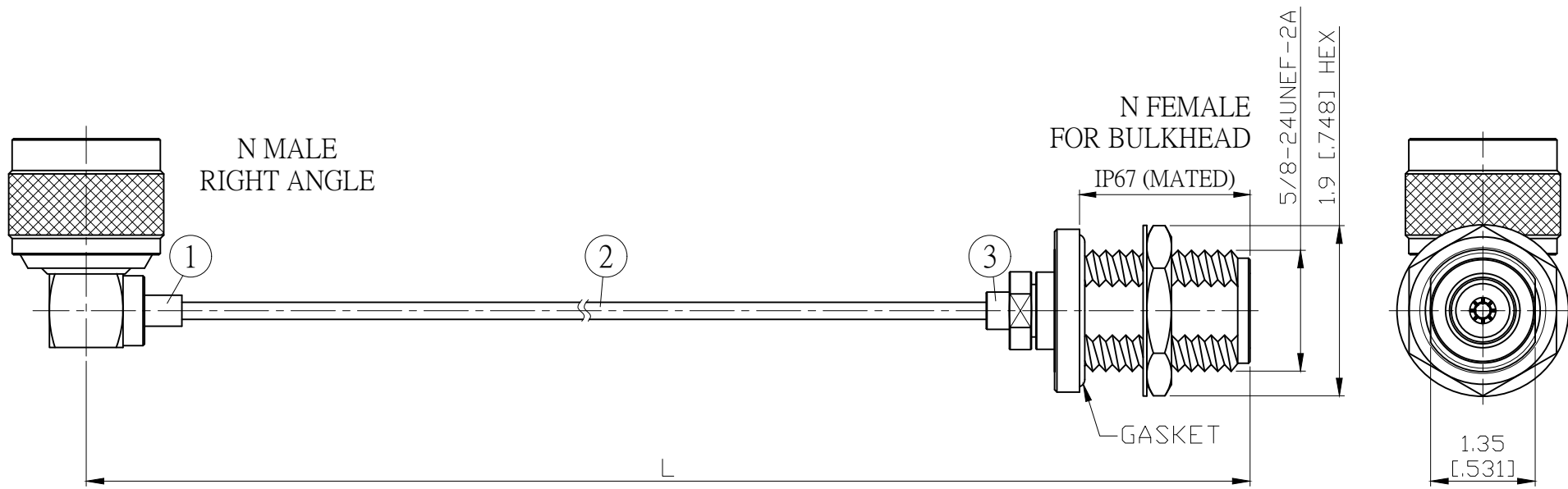
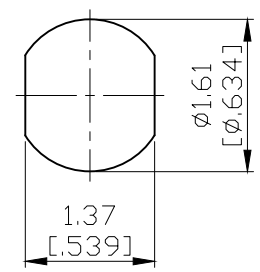


NO.	COMPONENTS	IMPEDANCE
1	N MALE RIGHT ANGLE	50 OHM
2	.085" TIN PLATED SEMI-RIGID CABLE (TIN PLATED RG405)	50 OHM
3	N FEMALE FOR BULKHEAD	50 OHM

REVISION			
REV.	DESCRIPTION	DATE	APPROVED
-	INITIAL RELEASE	2011/03/15	



JYE BAO P/N	L CM (INCH)	L1 FT (MM)
N39N85-85T-15	15 (5.906)	0.436 (133.0)
N39N85-85T-30	30 (11.811)	0.928 (283.0)
N39N85-85T-50	50 (19.685)	1.585 (483.0)
N39N85-85T-100	100 (39.370)	3.225 (983.0)
N39N85-85T-150	150 (59.055)	4.865 (1483.0)
N39N85-85T-200	200 (78.740)	6.506 (1983.0)
N39N85-85T-XXX	CUSTOM LENGTH IN CM	- - -



MOUNTING HOLE

DIMENSION ARE MILLIMETERS UNLESS OTHERWISE SPECIFIED TOLERANCES ( UNIT: MM )					STANDARD	REV -	UNIT CM(INCH)	<b>JYE BAO CO., LTD.</b>	
LENGTH TOLERANCE IS ±1.5% OR ±10MM, WHICHEVER IS GREATER.					APPROVED	DATE	<b>TAIPEI TAIWAN</b> DESCRIPTION CABLE ASSEMBLY N PLUG R/A TO N JACK FOR BULKHEAD JYE BAO DRAWING NO. N39N85-85T-XXX		
					CHECKED	DATE			
					DRAWING Albert	DATE			
3	N8305P-0085	N JACK	1	EA					
2	.085TIN-W-P-50	CABLE	L1 (SEE TABLE)	FT					
1	N3300-9085	N PLUG R/A	1	EA					
NO.	PARTS NO.	DESCRIPTION	QTY	U/M					