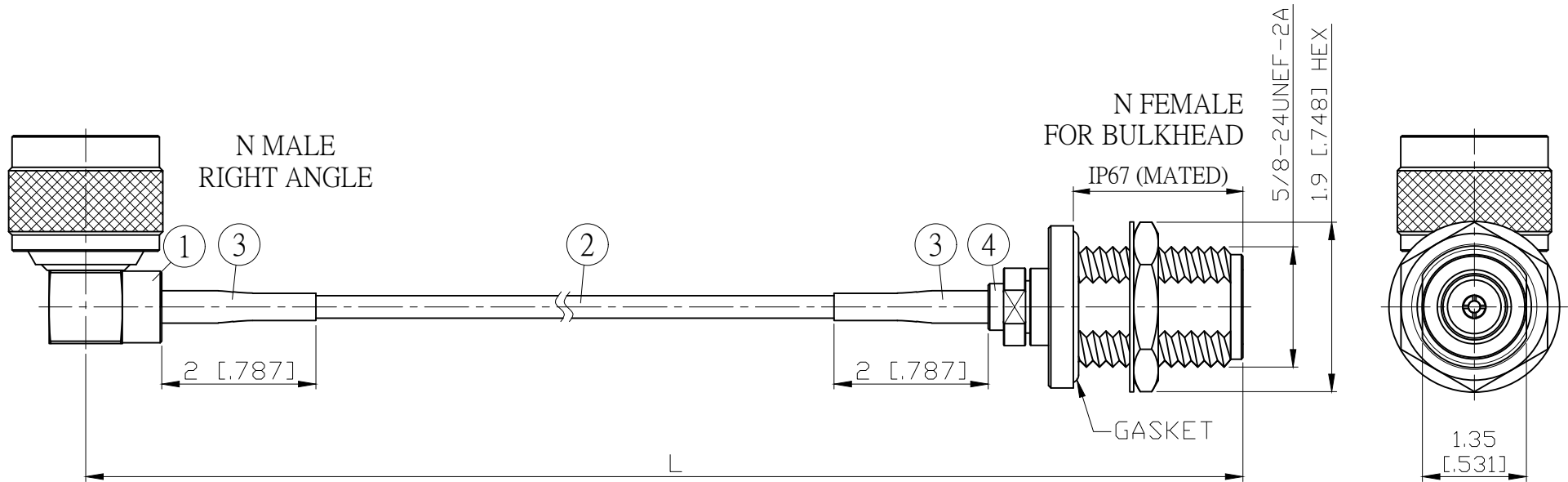
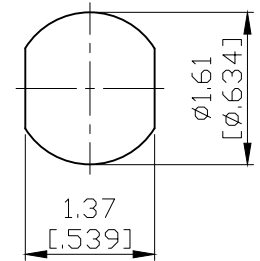


NO.	COMPONENTS	IMPEDANCE
1	N MALE RIGHT ANGLE	50 OHM
2	DOUBLE SHIELDED RG316(= RD316)	50 OHM
3	HEAT SHRINKING TUBE	
4	N FEMALE FOR BULKHEAD	50 OHM

REVISION			
REV.	DESCRIPTION	DATE	APPROVED
-	INITIAL RELEASE	2011/03/15	



JYE BAO P/N	L CM (INCH)	L1 FT (MM)
N39N85-316D-15	15 (5.906)	0.438 (133.5)
N39N85-316D-30	30 (11.811)	0.930 (283.5)
N39N85-316D-50	50 (19.685)	1.586 (483.5)
N39N85-316D-100	100 (39.370)	3.227 (983.5)
N39N85-316D-150	150 (59.055)	4.867 (1483.5)
N39N85-316D-200	200 (78.740)	6.508 (1983.5)
N39N85-316D-XXX	CUSTOM LENGTH IN CM	- - -



MOUNTING HOLE

DIMENSION ARE MILLIMETERS UNLESS OTHERWISE SPECIFIED TOLERANCES (UNIT: MM)					STANDARD		REV -	UNIT CM(INCH)	JYE BAO CO., LTD.	
4	N8105PD-0316	N JACK	1	EA	APPROVED		DATE	TAIPEI TAIWAN		
3	G5(F)-4.0MM-BLACK	TUBE	0.04	M	CHECKED		DATE	DESCRIPTION	CABLE ASSEMBLY N PLUG R/A TO N JACK FOR BULKHEAD	
2	RD316	CABLE	L1 (SEE TABLE)	FT	DRAWING		DATE	DESCRIPTION	JYE BAO DRAWING NO.	
1	N3100D-9316	N PLUG R/A	1	EA	Albert		DATE	DESCRIPTION	N39N85-316D-XXX	
NO.	PARTS NO.	DESCRIPTION	QTY	U/M	LENGTH TOLERANCE IS ±1.5% OR ±10MM, WHICHEVER IS GREATER.					