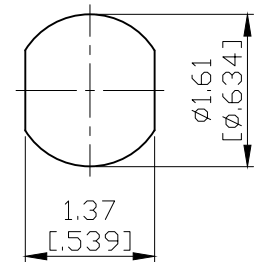
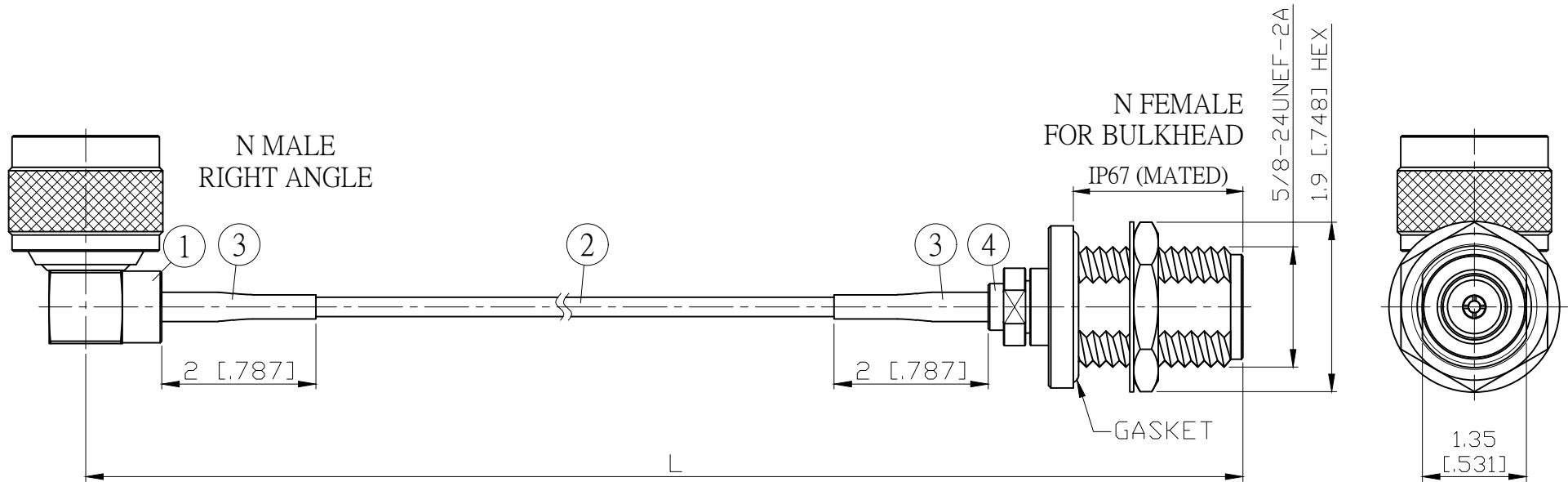


NO.	COMPONENTS	IMPEDANCE
1	N MALE RIGHT ANGLE	50 OHM
2	RG316	50 OHM
3	HEAT SHRINKING TUBE	
4	N FEMALE FOR BULKHEAD	50 OHM

REVISION			
REV.	DESCRIPTION	DATE	APPROVED
-	INITIAL RELEASE	2011/03/15	



MOUNTING HOLE

JYE BAO P/N	L CM (INCH)	L1 FT (MM)
N39N85-316-15	15 (5.906)	0.438 (133.5)
N39N85-316-30	30 (11.811)	0.930 (283.5)
N39N85-316-50	50 (19.685)	1.586 (483.5)
N39N85-316-100	100 (39.370)	3.227 (983.5)
N39N85-316-150	150 (59.055)	4.867 (1483.5)
N39N85-316-200	200 (78.740)	6.508 (1983.5)
N39N85-316-XXX	CUSTOM LENGTH IN CM	- - -

DIMENSION ARE MILLIMETERS UNLESS OTHERWISE SPECIFIED TOLERANCES (UNIT: MM)					STANDARD	REV -	UNIT CM(INCH)	JYE BAO CO., LTD. TAIPEI TAIWAN	
NO.	PARTS NO.	DESCRIPTION	QTY	U/M					
4	N8105P-0316	N JACK	1	EA	APPROVED			DATE	DESCRIPTION CABLE ASSEMBLY N PLUG R/A TO N JACK FOR BULKHEAD JYE BAO DRAWING NO. N39N85-316-XXX
3	G5(F)-4.0MM-BLACK	TUBE	0.04	M	CHECKED			DATE	
2	RG316	CABLE	L1 (SEE TABLE)	FT	DRAWING	Albert		DATE	
1	N3100-9316	N PLUG R/A	1	EA					
LENGTH TOLERANCE IS ±1.5% OR ±10MM, WHICHEVER IS GREATER.									