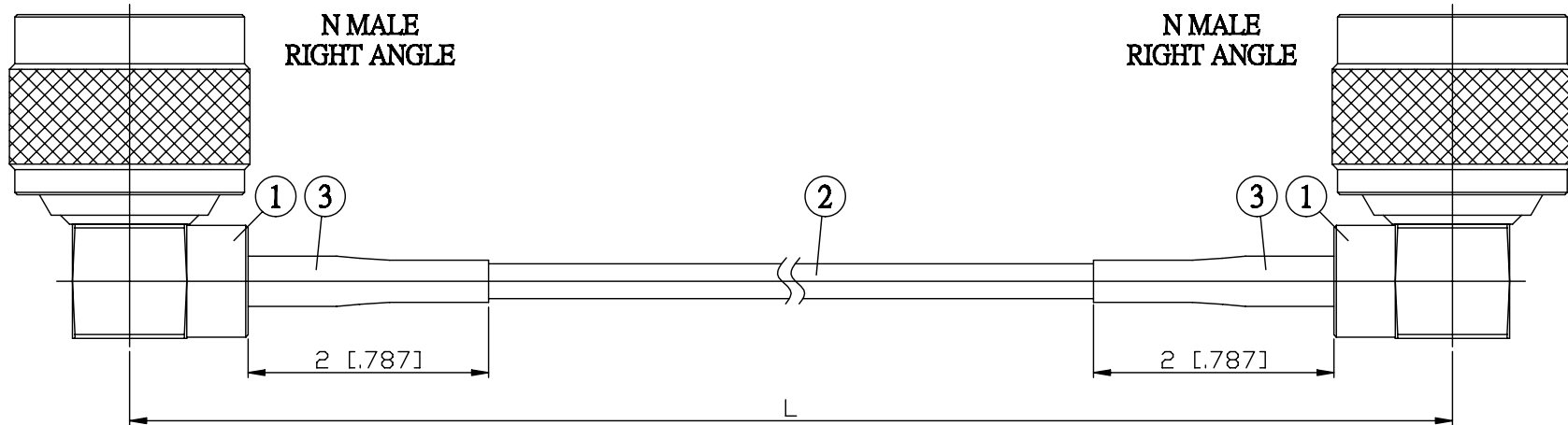


NO.	COMPONENTS	IMPEDANCE
1	N MALE RIGHT ANGLE	50 OHM
2	DOUBLE SHIELDED RG316(= RD316)	50 OHM
3	HEAT SHRINKING TUBE	



JYE BAO P/N	L CM (INCH)
N39N39-316D-15	15 (5.906)
N39N39-316D-30	30 (11.811)
N39N39-316D-50	50 (19.685)
N39N39-316D-100	100 (39.370)
N39N39-316D-150	150 (59.055)
N39N39-316D-200	200 (78.740)
N39N39-316D-XXX	CUSTOM LENGTH IN CM

LENGTH TOLERANCE IS ±1.5% OR ±10MM, WHICHEVER IS GREATER.	JYE BAO CO., LTD. TAIPEI TAIWAN
	<small>DESCRIPTION</small> CABLE ASSEMBLY N PLUG R/A TO N PLUG R/A
	<small>JYE BAO DRAWING NO.</small> N39N39-316D-XXX