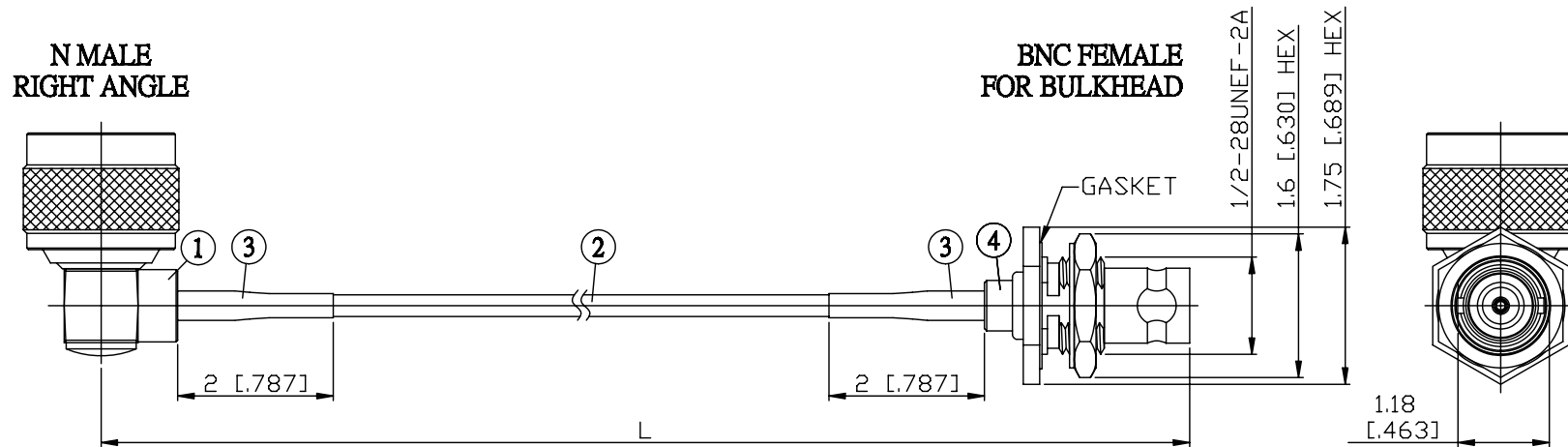
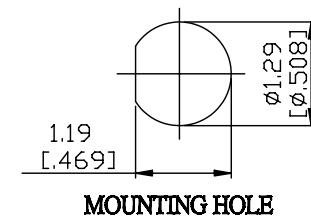


NO.	COMPONENTS	IMPEDANCE
1	N MALE RIGHT ANGLE	50 OHM
2	RG174	50 OHM
3	HEAT SHRINKING TUBE	
4	BNC FEMALE FOR BULKHEAD	50 OHM



JYE BAO P/N	L CM (INCH)
N39B85-174-15	15 (5.906)
N39B85-174-30	30 (11.811)
N39B85-174-50	50 (19.685)
N39B85-174-100	100 (39.370)
N39B85-174-150	150 (59.055)
N39B85-174-200	200 (78.740)
N39B85-174-XXX	CUSTOM LENGTH IN CM



MOUNTING HOLE

<p>LENGTH TOLERANCE IS $\pm 1.5\%$ OR $\pm 10\text{MM}$, WHICHEVER IS GREATER.</p>	<p>JYE BAO CO., LTD. TAIPEI TAIWAN</p>
	<p>DESCRIPTION CABLE ASSEMBLY N PLUG R/A TO BNC JACK FOR BULKHEAD</p>
	<p>JYE BAO DRAWING NO. N39B85-174-XXX</p>