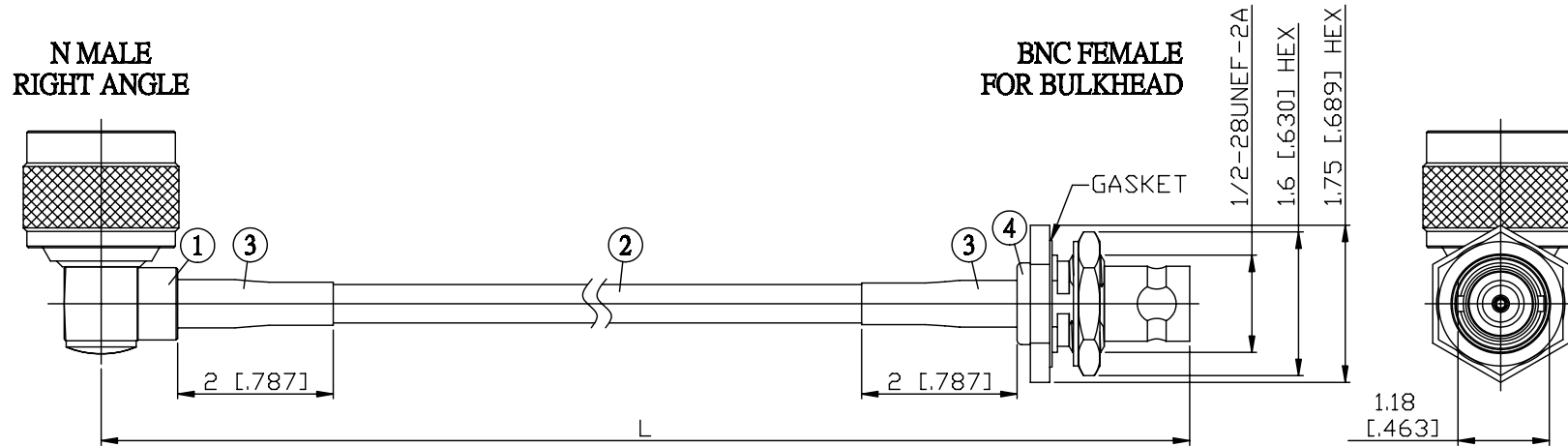
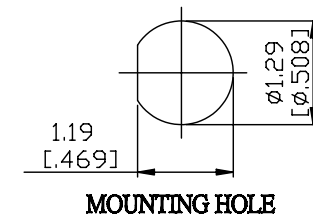


| NO. | COMPONENTS              | IMPEDANCE |
|-----|-------------------------|-----------|
| 1   | N MALE RIGHT ANGLE      | 50 OHM    |
| 2   | RG142                   | 50 OHM    |
| 3   | HEAT SHRINKING TUBE     |           |
| 4   | BNC FEMALE FOR BULKHEAD | 50 OHM    |



| JYE BAO P/N    | L<br>CM (INCH)         |
|----------------|------------------------|
| N39B85-142-15  | 15 (5.906)             |
| N39B85-142-30  | 30 (11.811)            |
| N39B85-142-50  | 50 (19.685)            |
| N39B85-142-100 | 100 (39.370)           |
| N39B85-142-150 | 150 (59.055)           |
| N39B85-142-200 | 200 (78.740)           |
| N39B85-142-XXX | CUSTOM<br>LENGTH IN CM |



|  |   |   |
|--|---|---|
| <b>LENGTH TOLERANCE<br/>IS ±1.5% OR ±10MM,<br/>WHICHEVER IS<br/>GREATER.</b> | <b>JYE BAO CO., LTD.</b><br>TAIPEI TAIWAN |   |
|  | DESCRIPTION                               | CABLE ASSEMBLY N PLUG R/A<br>TO BNC JACK FOR BULKHEAD |
|  | JYE BAO DRAWING NO.                       | N39B85-142-XXX  |