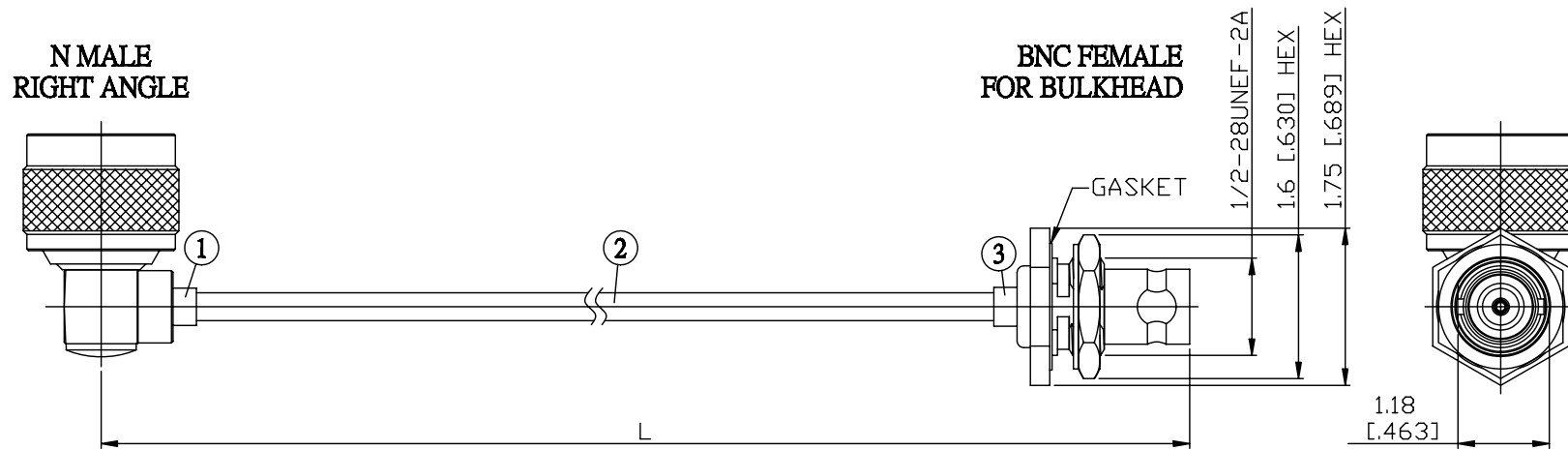
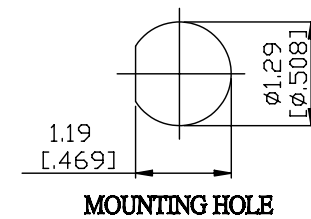


NO.	COMPONENTS	IMPEDANCE
1	N MALE RIGHT ANGLE	50 OHM
2	.141" HANDBENDABLE CABLE (= JYEBAO P/N .141SRF-W-P-50)	50 OHM
3	BNC FEMALE FOR BULKHEAD	50 OHM



JYE BAO P/N	L CM (INCH)
N39B85-141S-15	15 (5.906)
N39B85-141S-30	30 (11.811)
N39B85-141S-50	50 (19.685)
N39B85-141S-100	100 (39.370)
N39B85-141S-150	150 (59.055)
N39B85-141S-200	200 (78.740)
N39B85-141S-XXX	CUSTOM LENGTH IN CM



LENGTH TOLERANCE IS $\pm 1.5\%$ OR $\pm 10\text{MM}$ , WHICHEVER IS GREATER.	<b>JYE BAO CO., LTD.</b> TAIPEI TAIWAN
	DESCRIPTION CABLE ASSEMBLY N PLUG R/A TO BNC JACK FOR BULKHEAD
	JYE BAO DRAWING NO. N39B85-141S-XXX