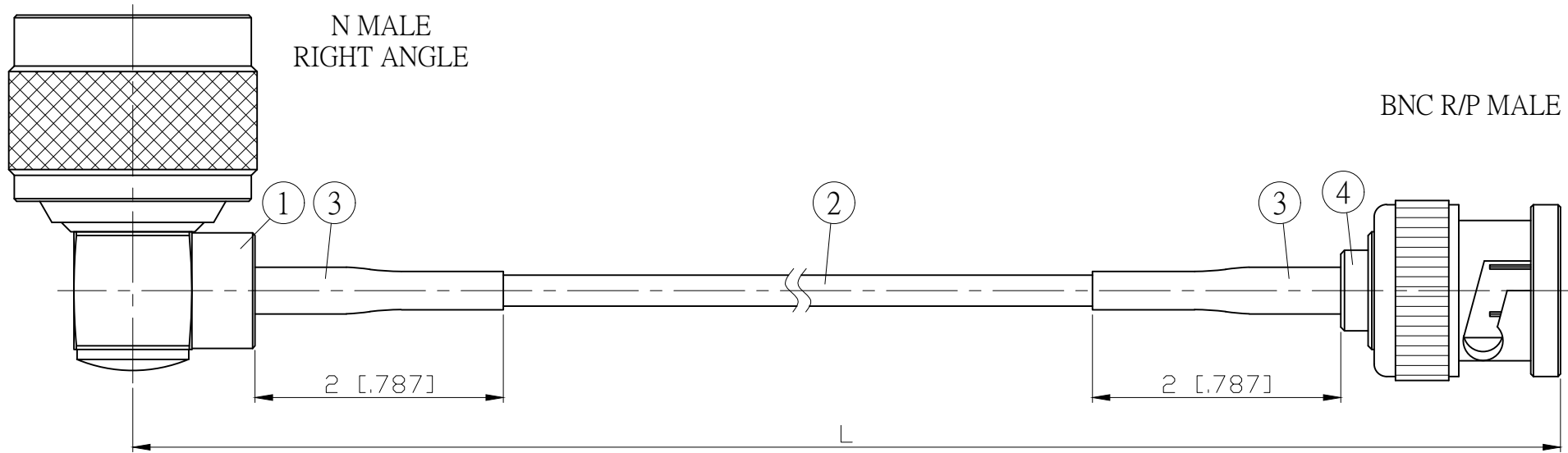


NO.	COMPONENTS	IMPEDANCE
1	N MALE RIGHT ANGLE	50 OHM
2	RG174	50 OHM
3	HEAT SHRINKING TUBE	
4	BNC REVERSE POLARITY MALE	50 OHM

REVISION			
REV.	DESCRIPTION	DATE	APPROVED
-	INITIAL RELEASE	2012/08/15	



JYE BAO P/N	L CM (INCH)
N39B60-174-15	15 (5.906)
N39B60-174-30	30 (11.811)
N39B60-174-50	50 (19.685)
N39B60-174-100	100 (39.370)
N39B60-174-150	150 (59.055)
N39B60-174-200	200 (78.740)
N39B60-174-XXX	CUSTOM LENGTH IN CM

LENGTH TOLERANCE
IS $\pm 1.5\%$ OR $\pm 10\text{MM}$,
WHICHEVER IS
GREATER.

JYE BAO CO., LTD.

TAIPEI TAIWAN

DESCRIPTION

CABLE ASSEMBLY N PLUG R/A TO BNC R/P PLUG

JYE BAO DRAWING NO.

N39B60-174-XXX