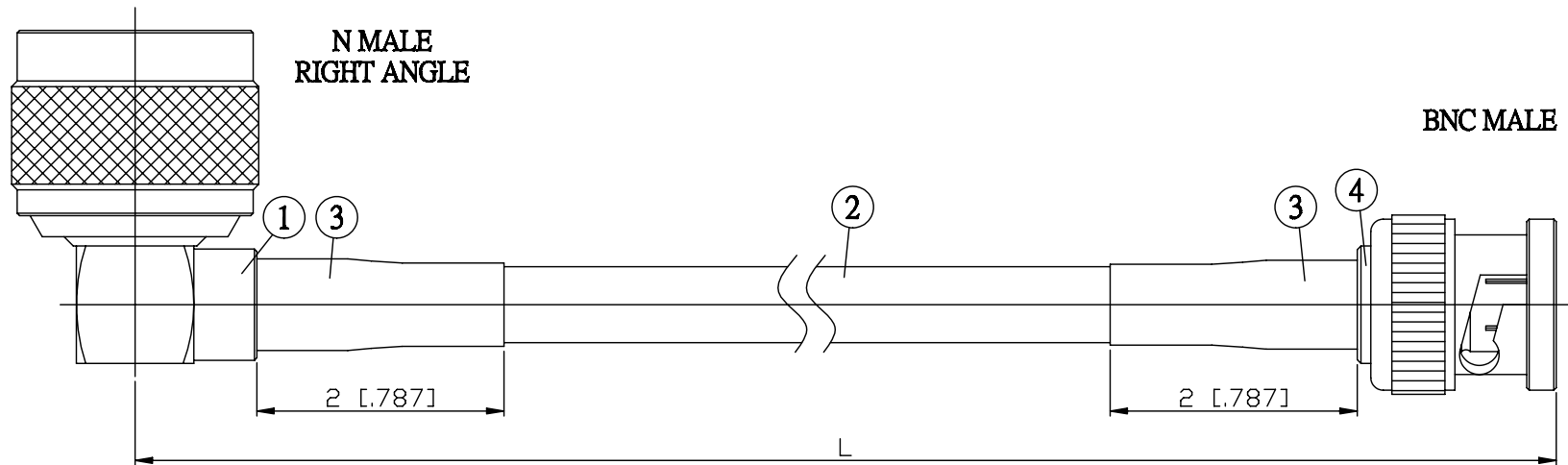


NO.	COMPONENTS	IMPEDANCE
1	N MALE RIGHT ANGLE	75 OHM
2	RG59	75 OHM
3	HEAT SHRINKING TUBE	
4	BNC MALE	75 OHM



JYE BAO P/N	L CM (INCH)
N39B30-59-15	15 (5.906)
N39B30-59-30	30 (11.811)
N39B30-59-50	50 (19.685)
N39B30-59-100	100 (39.370)
N39B30-59-150	150 (59.055)
N39B30-59-200	200 (78.740)
N39B30-59-XXX	CUSTOM LENGTH IN CM

LENGTH TOLERANCE IS $\pm 1.5\%$ OR $\pm 10\text{MM}$, WHICHEVER IS GREATER.	JYE BAO CO., LTD. TAIPEI TAIWAN
	DESCRIPTION CABLE ASSEMBLY N PLUG R/A TO BNC PLUG
	JYE BAO DRAWING NO. N39B30-59-XXX