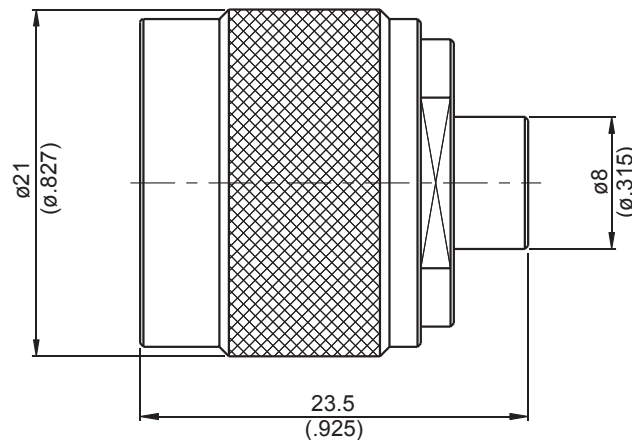


N3900-0006

N Plug Terminator

50Ω



VSWR≤1.2 UP TO 6 GHZ

2W average power from -55°C to 70°C linearly derated to 1 Watt at 165°C

Parts	Material	Plating (Micro-inch)
Nut	Brass	Tin-Zinc-Copper-Alloy 100 Over Copper 50
Contact Pin	Brass	Gold 5 Over Nickel 50 Over Copper 50
Renbrock Ring	Brass	Tin-Zinc-Copper-Alloy 100 Over Copper 50
Gasket	Silicon	
Contact Body	Brass	Tin-Zinc-Copper-Alloy 100 Over Copper 50
Insulator	Teflon	
Body	Brass	Tin-Zinc-Copper-Alloy 100 Over Copper 50
Coupling Nut	Brass	Tin-Zinc-Copper-Alloy 100 Over Copper 50

Weight: 30.95 g

This part number complies with RoHS.

Notice: JYEBAO reserves the right to make modifications deemed appropriate.