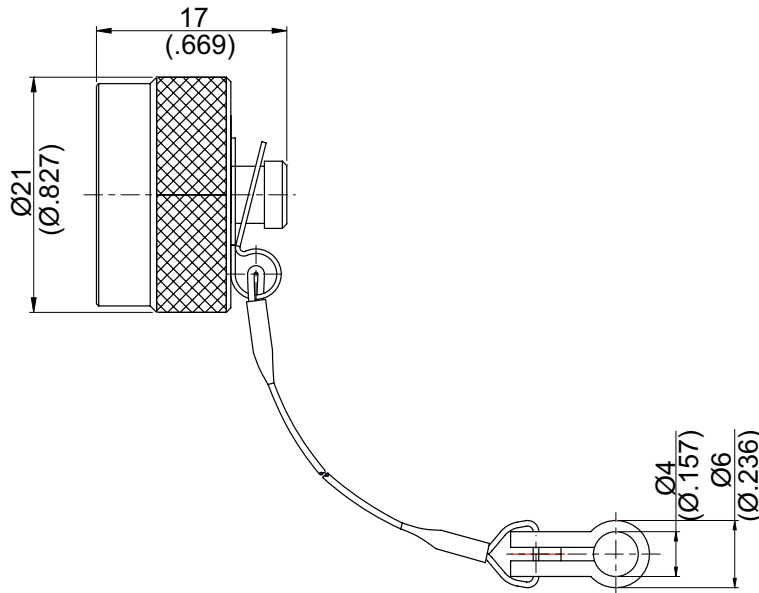


N38NY-0000	N Plug Cap	50Ω
------------	------------	-----



**NOTE: 1.N PLUG CAP WITH STAINLESS WIRE CHAIN
2.BLACK CHROMIUM SURFACE TREATED**

Parts	Material	Plating (Micro-inch)
Stainless Wire	Stainless Steel	Black Chromium 50 Over Copper 50
Rivet	Brass	Black Chromium 50 Over Copper 50
Gasket	Silicon	
Body	Brass	Black Chromium 50 Over Copper 50

Weight: 18.86 g

This part number complies with RoHS.

Notice: JYEBAO reserves the right to make modifications deemed appropriate.