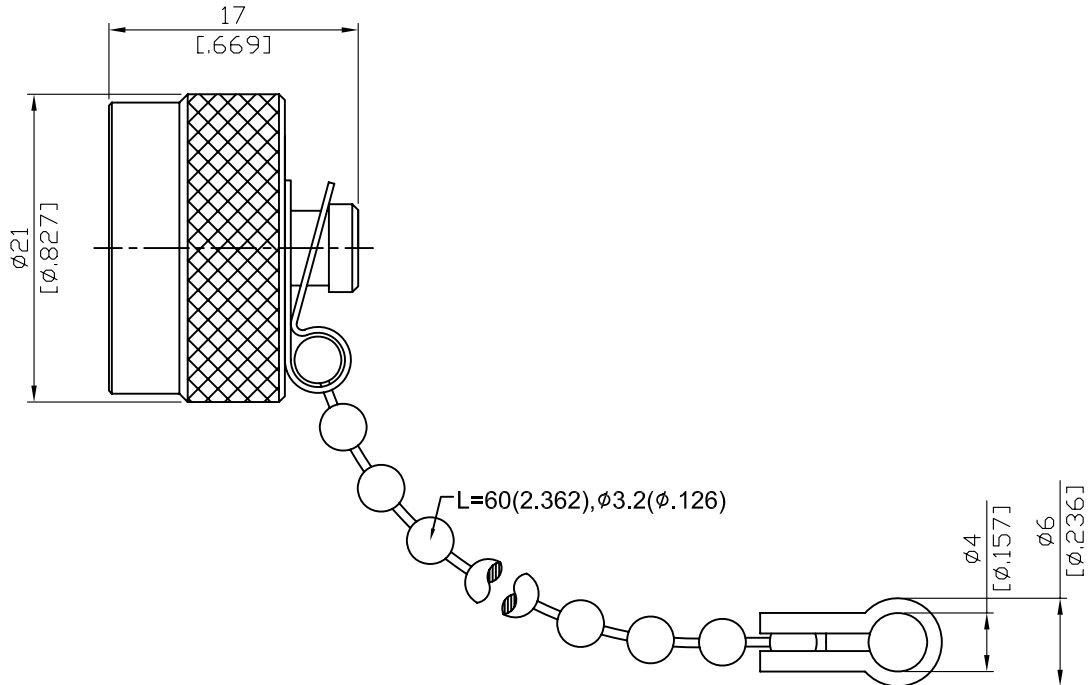


N3800-0000/60MM

N Plug Cap With 60mm Long Chain



Operating Temperature: -65°C/+165°C

Parts	Material	Plating (Micro-inch)
Free Reed	Cold Rolled Stainless Steel	Tin-Zinc-Copper-Alloy 100 Over Copper 50
Chain Plate	Stainless Steel	Passivated
Rivet	Brass	Tin-Zinc-Copper-Alloy 100 Over Copper 50
Gasket	Silicone	
Body	Brass	Tin-Zinc-Copper-Alloy 100 Over Copper 50

This part number complies with RoHS.

Notice: JYEBAO reserves the right to make modifications demand appropriate.