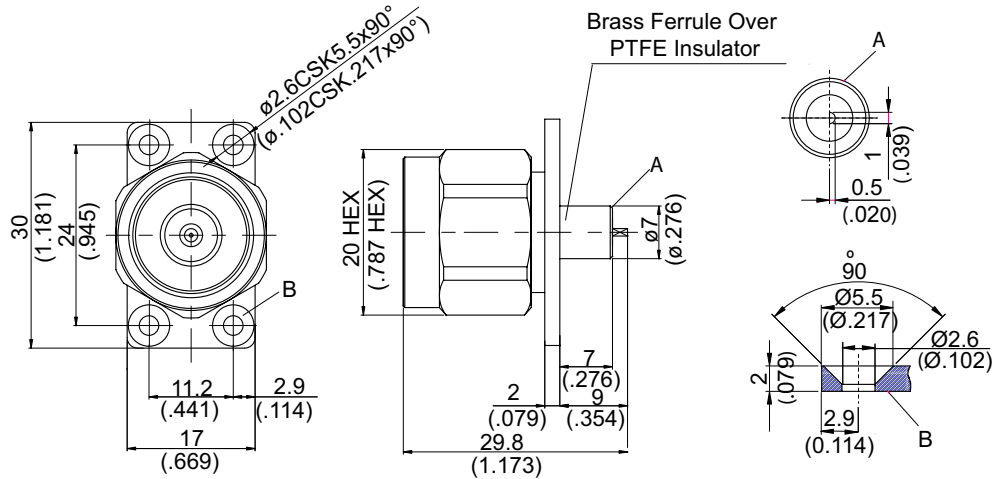
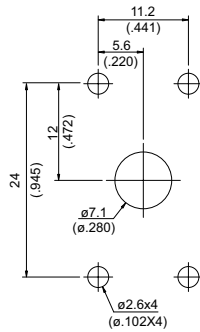


N364AL3NP-0000

Stainless Steel N Plug For Panel Receptacle 50Ω



MOUNTING HOLE



Parts	Material	Plating (Micro-inch)
Body	Stainless Steel	Passivated
Ferrule	Brass	Gold 5 Over Nickel 50 Over Copper 50
Contact Pin	Beryllium Copper	Gold 30 Over Nickel 50 Over Copper 50
Retainer Ring	Brass	Tin-Zinc-Copper-Alloy 100 Over Copper 50
Insulator	Teflon	
Coupling Nut	Stainless Steel	Passivated

Weight:

This part number complies with RoHS.

Notice: JYEBAO reserves the right to make modifications deemed appropriate.