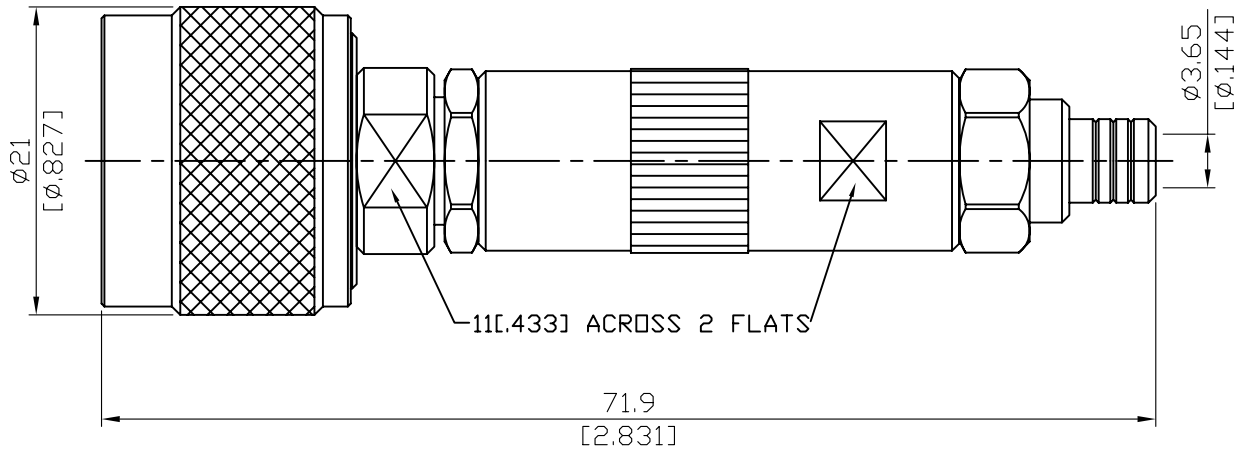


N3200PA-0141-15*f

11Ghz N Phase Adjustable Plug For RG 402 50Ω



VSWR 1.20 : 1 Max up to 11Ghz

Typical phase (Degrees)

Part number	1GHz	2GHz	3GHz	4GHz	5GHz	6GHz	7GHz	8GHz	9GHz
N3200PA-0141-15*f	15°	30°	45°	60°	75°	90°	105°	120°	135°
	10GHz	11GHz							
	150°	165°							

Parts	Material	Plating (Micro-inch)
C Ring	Stainless Steel	Passivated
Retainer Ring	Brass	Tin-Zinc-Copper-Alloy 100 Over Copper 50
Gasket	Silicone	
Contact Pin	Brass	Gold 4 Over Nickel-Phosphorus Alloy 80 Over Copper 20
Hex Nut	Brass	Tin-Zinc-Copper-Alloy 100 Over Copper 50
Collet Body	Beryllium Copper	Gold 4 Over Nickel-Phosphorus Alloy 80 Over Copper 20
Adjustment Nut	Brass	Tin-Zinc-Copper-Alloy 100 Over Copper 50
Contact Pin	Beryllium Copper	Gold 4 Over Nickel-Phosphorus Alloy 80 Over Copper 20
Insulator	Teflon	
Body	Brass	Tin-Zinc-Copper-Alloy 100 Over Copper 50
Contact Body	Brass	Tin-Zinc-Copper-Alloy 100 Over Copper 50
Coupling Nut	Brass	Tin-Zinc-Copper-Alloy 100 Over Copper 50

This part number complies with RoHS.

Notice: JYEBAO reserves the right to make modifications demand appropriate.